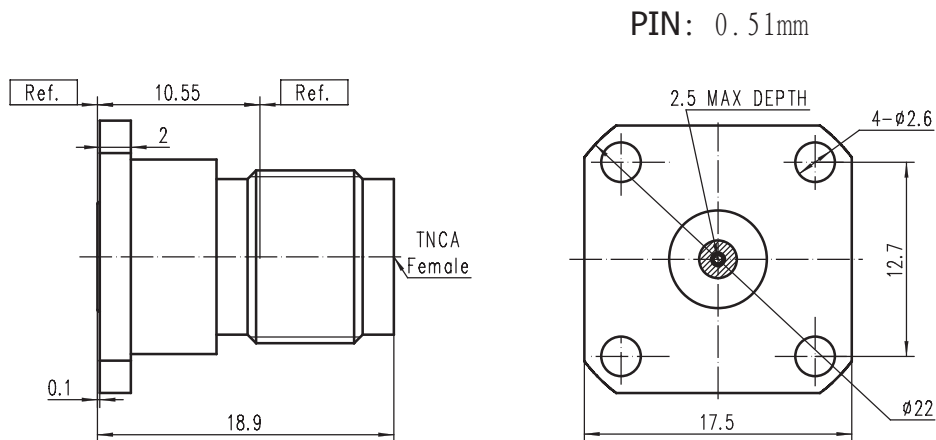


CONNECTOR TNCA-Female

TNCA-KFD51G



Code: 180001

Electrical data

Impedance	50 Ω
Frequency	DC to 18 GHz
Return loss	≥ 32 dB, DC to 1 GHz ≥ 28 dB, 1 to 3 GHz ≥ 18 dB, 3 to 18 GHz
Insertion loss	≤ 0.05 dB, DC to 18 GHz
Insulation resistance	$\geq 5 \times 10^3$ M Ω
Center contact resistance	≤ 1.5 m Ω
Outer contact resistance	≤ 1 m Ω
Test voltage	1500 V rms
Working voltage	500 V rms

Mechanical data

Mating cycles	min. 500
Center contact captivation: axial	≥ 15 N
Coupling test torque	max. 1.7 Nm
Recommended torque	0.46 Nm to 0.69 Nm

Material and plating

Connector parts	Material	Plating
Center contact	CuBe	Gold
Outer contact	Stainless Steel	Passivated
Dielectric	PTFE	

Environmental data

Temperature range	-65°C to +165°C
Thermal shock	MIL-STD-202, Meth. 107, Cond. B
Corrosion	MIL-STD-202, Meth. 101, Cond. B
Vibration	MIL-STD-202, Meth. 204, Cond. B
Shock	MIL-STD-202, Meth. 213, Cond. G
Moisture resistance	MIL-STD-202, Meth. 106
2002/95/EC (RoHS)	compliant