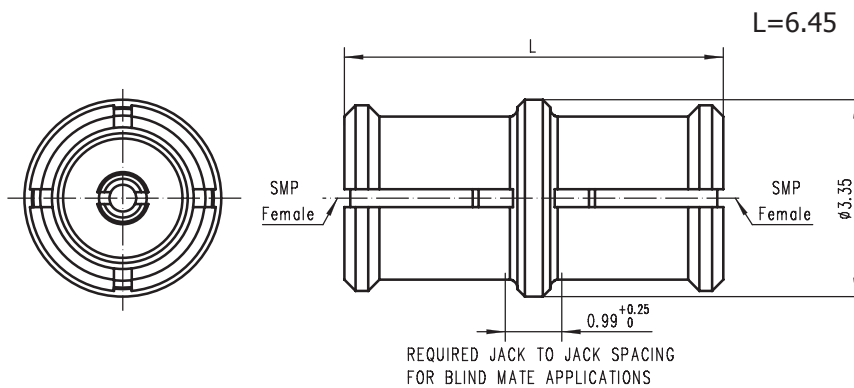


CONNECTOR

SMP Female-SMP Female

SMP-KK645



Code : 260501

Electrical data

Impedance	50 Ω
Frequency	DC to 26.5 GHz
VSWR	≤ 1.45, DC to 26.5 GHz
Insertion loss	≤ 0.05 x √f(GHz) dB , DC to 26.5 GHz
Insulation resistance	≥ 5 GΩ
Center contact resistance	≤ 6.0 mΩ
Outer contact resistance	≤ 2.0 mΩ
Test voltage	500 V rms
Working voltage	335 V rms
Contact Current	1.2A DC max.

Mechanical data

Mating cycles	
if mating part is smooth bore	≥ 1000
if mating part is limited detent	≥ 500
if mating part is full detent	≥ 100
Center contact captivation	≥ 7 N
Engagement force	
- smooth bore	9 N max.
- limited detent	45 N max.
- full detent	68 N max.
Disengagement force	
- smooth bore	2.2 N min.
- limited detent	9 N min.
- full detent	22 N min.

Material and plating

Center contact	CuBe	Gold
Outer contact	CuBe	Gold
Dielectric	PTFE/PEI	

Environmental data

Temperature range	-65°C to +165°C
Thermal shock	MIL-STD-202, Method 107, Condition B
Vibration	MIL-STD-202, Method 204, Condition B
Shock	MIL-STD-202, Method 213, Condition A
Moisture resistance	MIL-STD-202, Method 106
2002/95/EC (RoHS)	compliant

Shanghai Tuyue electronics Co. Ltd.

Tel.: +86 21 64753655 Fax: +86 21 61257270
 Email: info@tuyue.com.cn Website:www.tuyue.com.cn