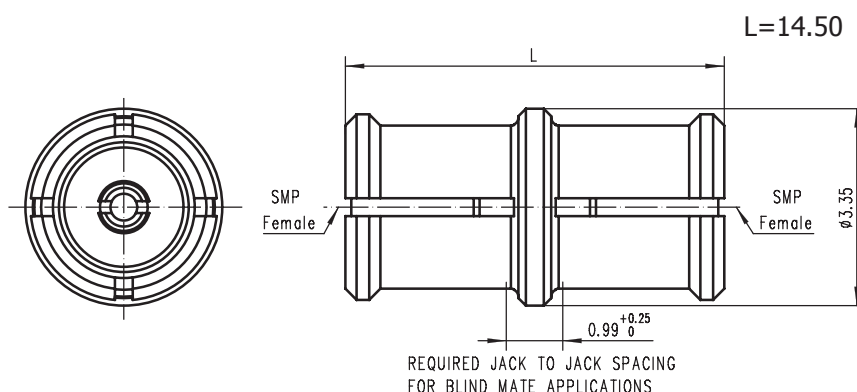


CONNECTOR

SMP Female-SMP Female

SMP-KK145



Code : 260509

Electrical data

Impedance	50 Ω
Frequency	DC to 26.5 GHz
VSWR	≤ 1.45 , DC to 26.5 GHz
Insertion loss	$\leq 0.05 \times \sqrt{f(\text{GHz})}$ dB , DC to 26.5 GHz
Insulation resistance	$\geq 5 \text{ G}\Omega$
Center contact resistance	$\leq 6.0 \text{ m}\Omega$
Outer contact resistance	$\leq 2.0 \text{ m}\Omega$
Test voltage	500 V rms
Working voltage	335 V rms
Contact Current	1.2A DC max.

Mechanical data

Mating cycles	
if mating part is smooth bore	≥ 1000
if mating part is limited detent	≥ 500
if mating part is full detent	≥ 100
Center contact captivation	$\geq 7 \text{ N}$
Engagement force	
- smooth bore	9 N max.
- limited detent	45 N max.
- full detent	68 N max.
Disengagement force	
- smooth bore	2.2 N min.
- limited detent	9 N min.
- full detent	22 N min.

Material and plating

Connector parts	Material	Plating
Center contact	CuBe	Gold
Outer contact	CuBe	Gold
Dielectric	PTFE/PEI	

Environmental data

Temperature range	-65°C to +165°C
Thermal shock	MIL-STD-202, Method 107, Condition B
Vibration	MIL-STD-202, Method 204, Condition B
Shock	MIL-STD-202, Method 213, Condition A
Moisture resistance	MIL-STD-202, Method 106
2002/95/EC (RoHS)	compliant