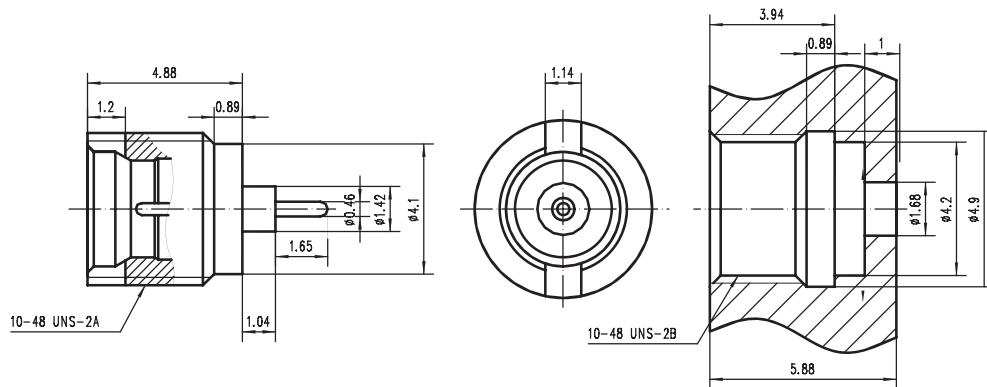


CONNECTOR SMP-Male

SMP-JYD1-L



Code : 260502

Electrical data

Impedance	50 Ω
Frequency	DC to 18 GHz
VSWR	≤ 1.35, DC to 18 GHz
Insertion loss	≤ 0.05 × √f(GHz) dB, DC to 18 GHz
Insulation resistance	≥ 5 GΩ
Center contact resistance	≤ 6.0 mΩ
Outer contact resistance	≤ 2.0 mΩ
Test voltage	500 V rms
Working voltage	335 V rms
Contact Current	1.2A DC max.

Mechanical data

Mating cycles	≥ 100
Center contact captivation	≥ 7 N
Engagement force	
- Limited detent	45 N max.
Disengagement force	
- Limited detent	9 N min.

Material and plating

Connector parts	Material	Plating
Center contact	CuBe	Gold
Outer contact	Brass	Gold
Dielectric	PTFE	

Environmental data

Temperature range	-65°C to +155°C
Thermal shock	MIL-STD-202, Method 107, Condition B
Vibration	MIL-STD-202, Method 204, Condition A
Shock	MIL-STD-202, Method 213, Condition A
Moisture resistance	MIL-STD-202, Method 106
Soldering temperature	250°C max.
2002/95/EC (RoHS)	compliant