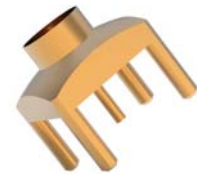
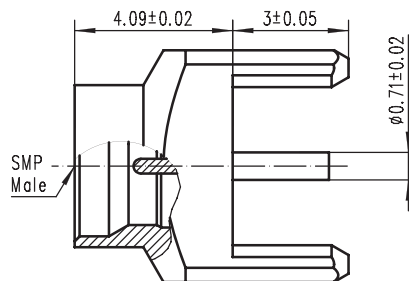
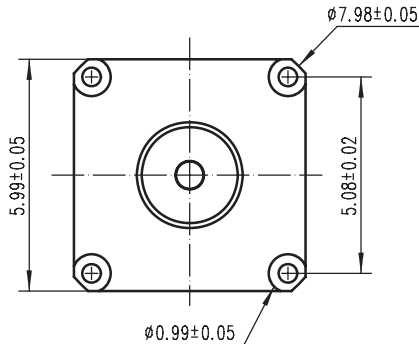


CONNECTOR SMP Male

SMP-JHD2-L



Code : 260504

Electrical data

Impedance	50 Ω
Frequency	DC to 6 GHz
VSWR	≤ 1.10, DC to 2 GHz ≤ 1.22, 2 to 6 GHz
Insertion loss	≤ 0.05 × √f(GHz) dB , DC to 6 GHz
Insulation resistance	≥ 5 GΩ
Center contact resistance	≤ 6.0 mΩ
Outer contact resistance	≤ 2.0 mΩ
Test voltage	500 V rms
Working voltage	335 V rms
Contact Current	1.2A DC max.

Mechanical data

Mating cycles	≥ 500
Center contact captivation	≥ 7 N
Engagement force	
- limited detent	45 N max.
Disengagement force	
- limited detent	9 N min.

Material and plating

Connector parts	Material	Plating
Center contact	Brass	Gold
Outer contact	Brass	Gold
Dielectric	PTFE/PEI	

Environmental data

Temperature range	-65°C to +155°C
Thermal shock	MIL-STD-202, Method 107, Condition B
Vibration	MIL-STD-202, Method 204, Condition B
Shock	MIL-STD-202, Method 213, Condition A
Moisture resistance	MIL-STD-202, Method 106
Max. soldering temperature	IEC 61760-1, +260°C for 10 sec.
2002/95/EC (RoHS)	compliant