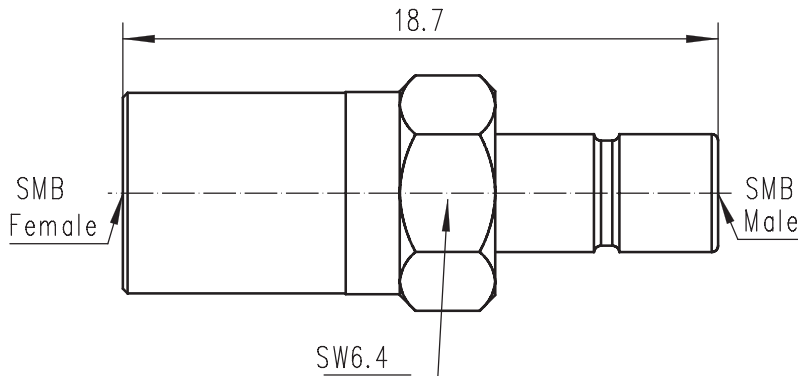


ADAPTOR SMB Female – SMB Male

SMB-JK



Code: 100125

Electrical data

| | |
|---------------------------|---|
| Impedance | 50Ω |
| Frequency | DC to 4 GHz |
| Return loss | ≥ 29 dB, DC to 1 GHz ≥ 23 dB, 1 to 4 GHz |
| Insertion loss | ≤ 0.1 dB |
| Insulation resistance | ≥ 1 x10 ³ MΩ |
| Center contact resistance | ≤ 5 mΩ |
| Outer contact resistance | ≤ 2.5 mΩ |
| Test voltage | 750 V rms, 50 Hz, at sea level |
| Working voltage | 250 V rms, 50 Hz, at sea level |
| RF-leakage | ≥ 55 dB up to 1 GHz |

Mechanical data

| | |
|-----------------------------------|-----------------------|
| Mating cycles | ≥500 |
| Center contact captivation: axial | ≥ 10 N |
| Engagement force | ≤ 63 N |
| Disengagement force | 8 N min. to 63 N max. |

Material and plating

| Connector parts | Material | Plating |
|-----------------|----------|---------|
| Center contact | CuBe | Gold |
| Outer contact | Brass | Gold |
| Dielectric | PTFE | |

Environmental data

| | |
|---------------------|--------------------------------------|
| Temperature range | -55°C to +155°C |
| Thermal shock | MIL-STD-202, Method 107, Condition B |
| Corrosion | MIL-STD-202, Method 101, Condition B |
| Vibration | MIL-STD-202, Method 204, Condition D |
| Moisture resistance | MIL-STD-202, Method 106 |
| 2002/95/EC(RoHS) | compliant |

Shanghai Tuyue electronics Co. Ltd.

Tel.: +86 21 64753655 Fax: +86 21 61257270
Email: info@tuyue.com.cn Website: www.tuyue.com.cn