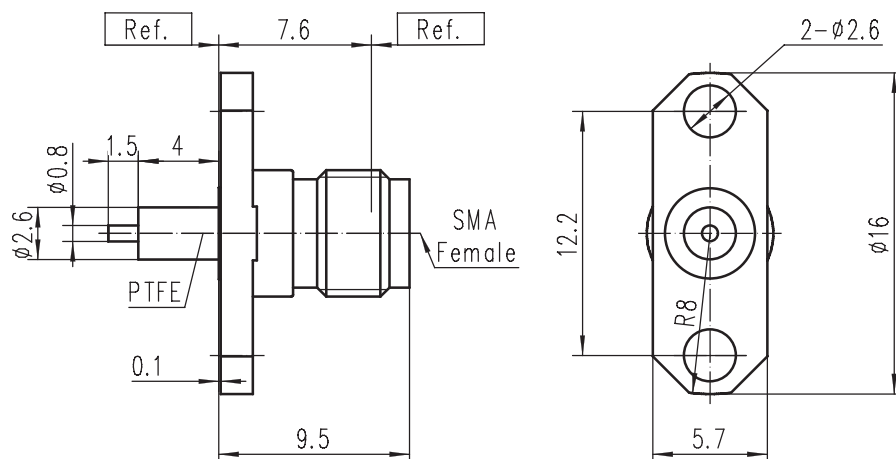


# CONNECTOR

## Precision SMA Female Panel

# SMA-KFD505A-3G



Code : 130603

### Electrical data

Impedance	50 Ω
Frequency	DC to 18 GHz
VSWR	≤1.20, DC-18GHz
Insertion loss	≤ 0.03 × √f(GHz) dB
Insulation resistance	≥ 5 × 10 <sup>3</sup> MΩ
Center contact resistance	≤3 mΩ
Outer contact resistance	≤2 mΩ
Test voltage	1000 V rms
Working voltage	480 V rms
Power handling(at 20 °C, sea level, VSWR 1.0)	≤ 150 W @ 2 GHz
RF-leakage	≥ 100 dB up to 1 GHz

### Mechanical data

Mating cycles	min. 500
Center contact captivation: axial	≥ 27 N
radial	≥ 3 Ncm
Coupling test torque	max. 1.7 Nm
Recommended torque	0.8 Nm to 1.1 Nm

### Material and plating

Connector parts	Material	Plating
Center contact	CuBe	Gold
Outer contact	Stainless Steel	Passivated
Dielectric	PTFE	

### Environmental data

Temperature range	-65°C to +165°C
Thermal shock	MIL-STD-202, Method 107, Condition B
Corrosion	MIL-STD-202, Method 101, Condition B
Vibration	MIL-STD-202, Method 204, Condition D
Shock	MIL-STD-202, Method 213, Condition I
Moisture resistance	MIL-STD-202, Method 106
2002/95/EC (RoHS)	compliant