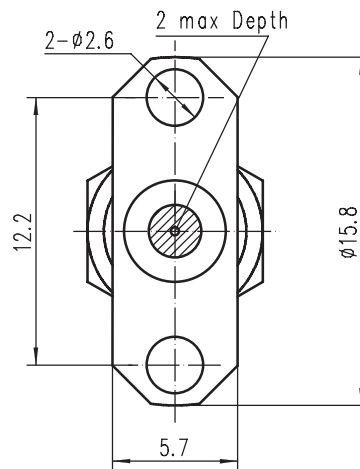
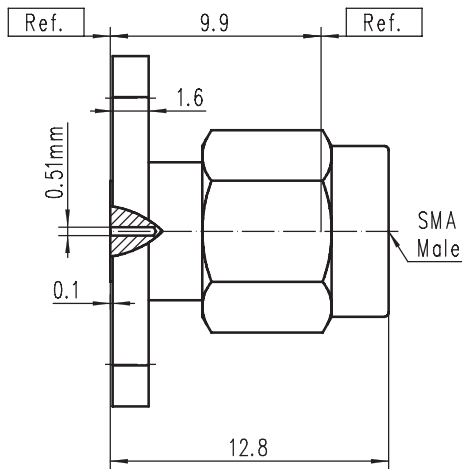


CONNECTOR SMA Male Panel

SMA-JFD517AG



Code: 130617

Electrical data

Impedance	50 Ω
Frequency	DC to 26.5GHz
VSWR	≤ 1.15, DC to 26.5 GHz
Insertion loss	≤ 0.04x √f(GHz) dB
Insulation resistance	≥ 5 x10 ³ MΩ
Center contact resistance	≤ 3 mΩ
Outer contact resistance	≤ 2 mΩ
Test voltage	1000 V rms
Working voltage	480 V rms
Power handling (at 20 °C, sea level, VSWR 1.0)	≤ 150 W @ 2 GHz
RF-leakage	≥ 100 dB up to 1 GHz

Mechanical data

Mating cycles	min. 500
Coupling nut retention	≥ 270 N
Coupling test torque	max. 1.7 Nm
Recommended torque	0.8 Nm to 1.1 Nm

Material and plating

Connector parts	Material	Plating
Center contact	Brass	Gold
Outer contact	Stainless steel	Passivated
Dielectric	PTFE	
Gasket	Silicone	
Coupling nut	Stainless steel	Passivated

Environmental data

Temperature range	-65°C to +165°C
Thermal shock	MIL-STD-202, Meth. 107, Cond. B
Corrosion	MIL-STD-202, Meth. 101, Cond. B
Vibration	MIL-STD-202, Meth. 204, Cond. D
Shock	MIL-STD-202, Meth. 213, Cond. I
Moisture resistance	MIL-STD-202, Meth. 106
2002/95/EC (RoHS)	compliant

Shanghai Tuyue electronics Co. Ltd.

Tel.: +86 21 64753655 Fax: +86 21 61257270
Email: info@tuyue.com.cn Website:www.tuyue.com.cn