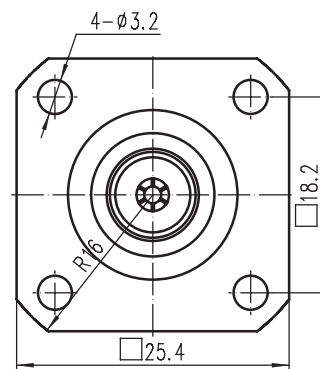
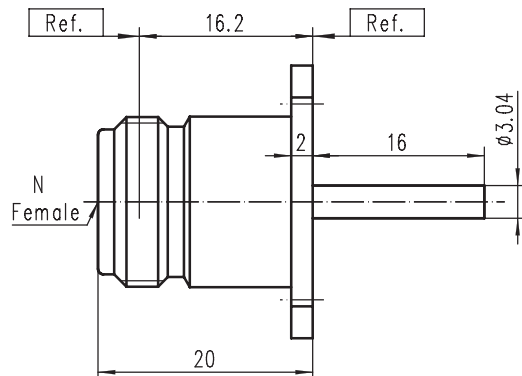


CONNECTOR Precision N-Female

N-KFDG



Code : 200012

Electrical data

Impedance	50 Ω
Frequency	DC to 18 GHz
Return loss	≥ 25 dB, DC to 18 GHz
Insertion loss	≤ 0.05 X $\sqrt{f(\text{GHz})}$ dB
Insulation resistance	≥ 5 GΩ
Center contact resistance	≤ 1.0 mΩ
Outer contact resistance	≤ 1.0 mΩ
Test voltage	2500 V rms
Working voltage	1400 V rms
RF-leakage	≥ 90 dB up to 1 GHz

Mechanical data

Mating cycles	min. 500
Center contact captivation: axial	≥ 28 N
radial	≥ 3 Ncm
Coupling test torque	max. 1.7 Nm
Recommended torque	0.7 Nm to 1.1 Nm

Material and plating

Connector parts	Material	Plating
Center contact	CuBe	Gold
Outer contact	Stainless Steel	Passivated
Body	Stainless Steel	Passivated
Dielectric	PEI	

Environmental data

Temperature range	-65°C to +165°C
Thermal shock	MIL-STD-202, Meth. 107, Cond. B
Corrosion	MIL-STD-202, Meth. 101, Cond. B
Vibration	MIL-STD-202, Meth. 204, Cond. B
Shock	MIL-STD-202, Meth. 213, Cond. I
Moisture resistance	MIL-STD-202, Meth. 106
2002/95/EC (RoHS)	compliant

Shanghai Tuyue electronics Co. Ltd.

Tel.: +86 21 64753655 Fax: +86 21 61257270
Email: info@tuyue.com.cn Website:www.tuyue.com.cn

Page

1 / 1