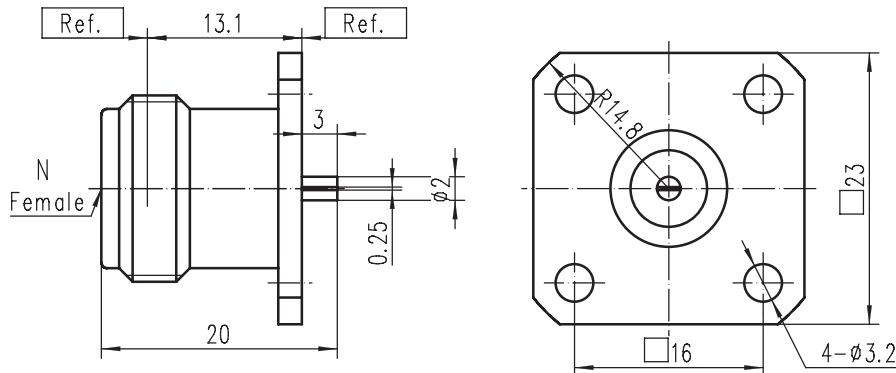


CONNECTOR N-Female

N-KFD10



Code : 200022



Electrical data

Impedance	50 Ω
Frequency	DC to 11 GHz
Return loss	≥ 30 dB, DC to 2.5 GHz
	≥ 26 dB, 2.5 to 4 GHz
	≥ 20 dB, 4 to 5 GHz
Insertion loss	≤ 0.05 dB, DC to 5 GHz
Insulation resistance	$\geq 5 \times 10^3$ M Ω
Center contact resistance	≤ 1 m Ω
Outer contact resistance	≤ 0.25 m Ω
Test voltage	2500 V rms
Working voltage	1400 V rms

Mechanical data

Mating cycles	min. 500
Center contact captivation: axial	≥ 28 N
radial	≥ 3 Ncm
Coupling test torque	max. 1.7 Nm
Recommended torque	0.7 Nm to 1.1 Nm

Material and plating

Connector parts	Material	Plating
Center contact	CuBe	Gold
Outer contact	Brass	Gold
Body	Brass	Gold
Dielectric	PTFE	

Environmental data

Temperature range	-65°C to +165°C
Thermal shock	MIL-STD-202, Meth. 107, Cond. B
Corrosion	MIL-STD-202, Meth. 101, Cond. B
Vibration	MIL-STD-202, Meth. 204, Cond. B
Shock	MIL-STD-202, Meth. 213, Cond. I
Moisture resistance	MIL-STD-202, Meth. 106
2002/95/EC (RoHS)	compliant

Shanghai Tuyue electronics Co. Ltd.

Tel.: +86 21 64753655 Fax: +86 21 61257270
Email: info@tuyue.com.cn Website: www.tuyue.com.cn