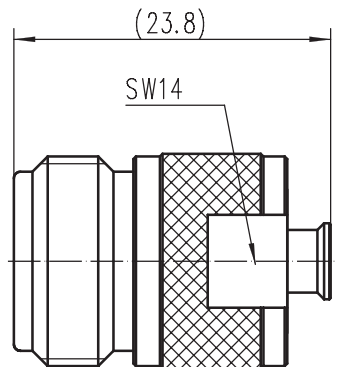


# CONNECTOR

## N-Female With 141 Cable

# N-KB141PIM



Code : 200032

### Electrical data

|                           |   |
|---------------------------|---|
| Impedance                 | 50 $\Omega$   |
| Frequency                 | DC to 7 GHz   |
| Return loss               | $\geq 28$ dB, DC to 2 GHz<br>$\geq 23$ dB, 2 to 5 GHz<br>$\geq 18$ dB, 5 to 7 GHz |
| Insertion loss            | $\leq 0.05$ dB  |
| Insulation resistance     | $\geq 5 \times 10^3$ M $\Omega$   |
| Center contact resistance | $\leq 1$ m $\Omega$   |
| Outer contact resistance  | $\leq 0.25$ m $\Omega$  |
| Test voltage              | 2500 V rms  |
| Working voltage           | 1400 V rms  |
| PIM                       | $\leq -160$ dBC   |

### Mechanical data

|                      |                  |
|----------------------|------------------|
| Mating cycles        | min. 500         |
| Coupling test torque | max. 1.7 Nm      |
| Recommended torque   | 0.7 Nm to 1.1 Nm |

### Material and plating

| Connector parts | Material        | Plating            |
|-----------------|-----------------|--------------------|
| Center contact  | Phosphor Bronze | Silver 3-6 $\mu$ m |
| Outer contact   | Brass           | Cu-Sn-Zn           |
| Coupling nut    | Brass           | Cu-Sn-Zn           |
| Dielectric      | PTFE            |                    |

### Environmental data

|                     |                                 |
|---------------------|---------------------------------|
| Temperature range   | -55°C to +85°C                  |
| Thermal shock       | MIL-STD-202, Meth. 107, Cond. B |
| Corrosion           | MIL-STD-202, Meth. 101, Cond. B |
| Vibration           | MIL-STD-202, Meth. 204, Cond. B |
| Shock               | MIL-STD-202, Meth. 213, Cond. I |
| Moisture resistance | MIL-STD-202, Meth. 106          |
| 2002/95/EC (RoHS)   | compliant                       |