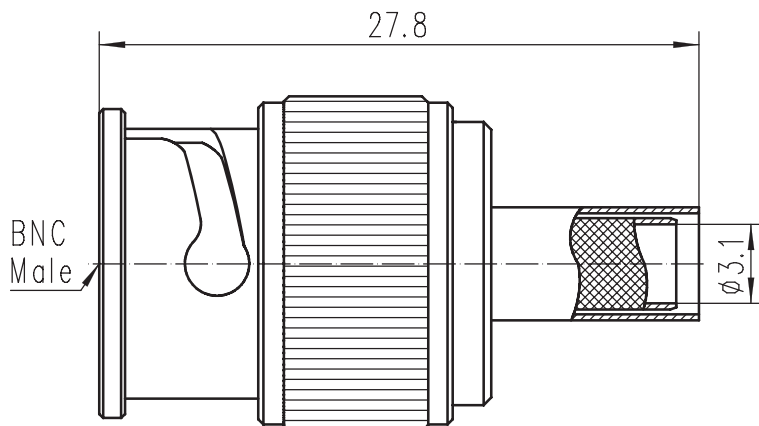


CONNECTOR

BNC-Male With RG142 Cable

BNC-J5Y



Code : 190004

Electrical data

Impedance	50 Ω
Frequency	DC to 4 GHz
Return loss	≥ 23 dB, DC to 2.5 GHz ≥ 20 dB, 2.5 to 4 GHz
Insertion loss	≤ 0.05 x [GHz] f dB, DC to 4 GHz
Insulation resistance	≥ 5 x10 ⁸ MΩ
Center contact resistance	≤ 1.5 mΩ
Outer contact resistance	≤ 1 mΩ
Test voltage	1500 V rms
Working voltage	400 V rms
Power handling (at 20 °C, sea level, VSWR 1.0)	≤ 80 W @ 2 GHz

Mechanical data

Mating cycles	min. 500
Center contact captivation: axial	≥ 15 N

Material and plating

Connector parts	Material	Plating
Center contact	Bronze	Gold
Outer contact	Brass	Nickel
Body	Brass	Nickel
Dielectric	PTFE	
Gasket	Silicon Rubber	
Crimping ferrule	Copper	Nickel

Environmental data

Temperature range	-65°C to +165°C
Thermal shock	MIL-STD-202, Meth. 107, Cond. B
Corrosion	MIL-STD-202, Meth. 101, Cond. B
Vibration	MIL-STD-202, Meth. 204, Cond. B
Shock	MIL-STD-202, Meth. 213, Cond. G
Moisture resistance	MIL-STD-202, Meth. 106
2002/95/EC (RoHS)	compliant