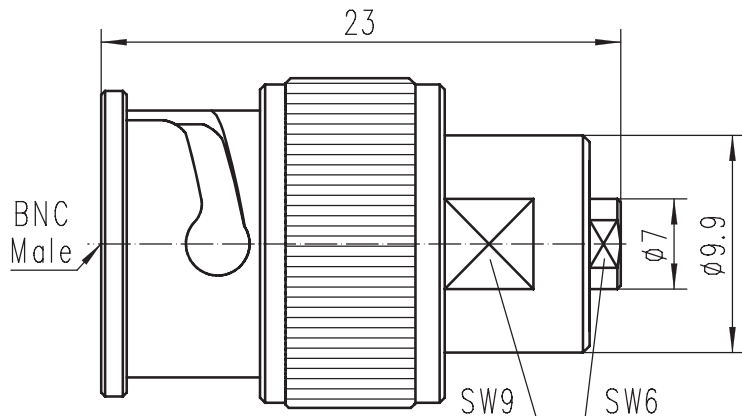


# CONNECTOR

## BNC-Male With RG316 Cable

# BNC-J3



Code: 190002

### Electrical data

Impedance	50 Ω
Frequency	DC to 4 GHz
Return loss	≥ 23 dB, DC to 2.5 GHz ≥ 20 dB, 2.5 to 4 GHz
Insertion loss	≤ 0.05 x [GHz] f dB, DC to 4 GHz
Insulation resistance	≥ 5 x10 <sup>3</sup> MΩ
Center contact resistance	≤ 1.5 mΩ
Outer contact resistance	≤ 1 mΩ
Test voltage	1500 V rms
Working voltage	400 V rms
Power handling (at 20 °C, sea level, VSWR 1.0)	≤ 80 W @ 2 GHz

### Mechanical data

Mating cycles	min. 500
Center contact captivation: axial	≥ 15 N

### Material and plating

Connector parts	Material	Plating
Center contact	Brass	Gold
Outer contact	Brass	Nickel
Body	Brass	Nickel
Dielectric	PTFE	
Gasket	Silicon Rubber	
Crimping ferrule	Copper	Nickel

### Environmental data

Temperature range	-65°C to +165°C
Thermal shock	MIL-STD-202, Meth. 107, Cond. B
Corrosion	MIL-STD-202, Meth. 101, Cond. B
Vibration	MIL-STD-202, Meth. 204, Cond. B
Shock	MIL-STD-202, Meth. 213, Cond. G
Moisture resistance	MIL-STD-202, Meth. 106
2002/95/EC (RoHS)	compliant

Shanghai Tuyue electronics Co. Ltd.

Tel.: +86 21 64753655 Fax: +86 21 61257270  
Email: info@tuyue.com.cn Website:www.tuyue.com.cn