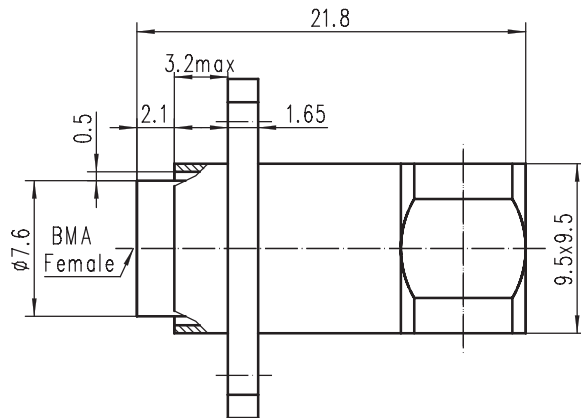


# CONNECTOR

## BMA-Female With 141 Cable

### BMA-KWFB3



Code : 260502

#### Electrical data

Impedance	50 $\Omega$
Frequency	DC to 6GHz
Return loss	$\geq 20$ dB, DC to 6 GHz
Insertion loss	$\leq 0.05 \times \sqrt{f(\text{GHz})}$ dB
Insulation resistance	$\geq 5$ G $\Omega$
Center contact resistance	$\leq 5.0$ m $\Omega$
Outer contact resistance	$\leq 2.5$ m $\Omega$
Test voltage	500V rms
Working voltage	335 V rms
RF leakage	$\geq 55$ dB up to 1GHz

#### Mechanical data

Mating cycles	min. 500
Center contact captivation: axial	$\geq 27$ N
Engagement force	$\leq 13.5$ N
Disengagement force	$\geq 2$ N

#### Material and plating

Connector parts	Material	Plating
Center contact	CuBe	Gold
Outer contact	Brass	Gold
Dielectric	PTFE	

#### Environmental data

Temperature range	-55°C to +155°C
Thermal shock	CECC 22 220, Chapter 4.6.7
Vibration	CECC 22 220, Chapter 4.6.3
Corrosion	CECC 22 220, Chapter 4.6.10
Moisture resistance	CECC 22 220, Chapter 4.6.6
2002/95/EC (RoHS)	compliant