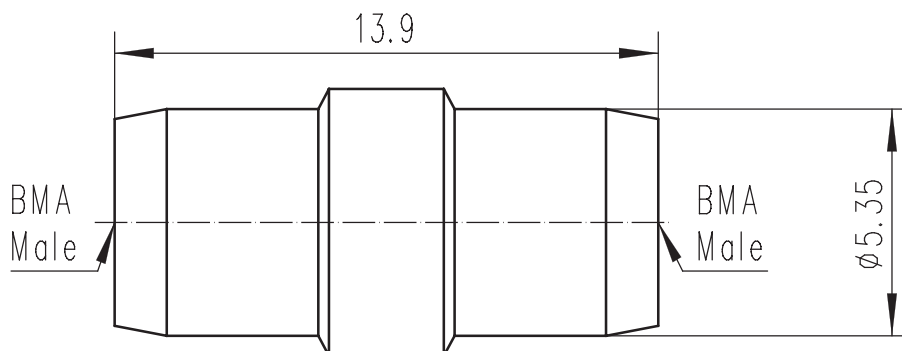


# ADAPTOR BMA Male – BMA Male

## BMA-JJ



Code: 100150

### Electrical data

Impedance	50 Ω
Frequency	DC to 6GHz
VSWR	≤1.25, DC to 6 GHz
Insertion loss	≤ 0.05 x $\sqrt{f(\text{GHz})}$ dB
Insulation resistance	≥ 5GΩ
Center contact resistance	≤ 5.0 mΩ
Outer contact resistance	≤ 2.5 mΩ
Test voltage	750V rms
Working voltage	335 V rms

### Mechanical data

Mating cycles	≥ 500
Center contact captivation: axial	≥ 27 N
Engagement force	≤ 13.5 N
Disengagement force	≥ 2N

### Material and plating

#### Connector parts

Center contact  
Outer contact  
Coupling nut  
Dielectric

#### Material

Beryllium copper  
Brass  
Brass  
PTFE

#### Plating

Gold, over chemical nickel  
Gold, over chemical nickel  
Gold, over chemical nickel

### Environmental data

Temperature range	-60°C to +165°C
Thermal shock	MIL-STD-202, Method 107, Condition B
Corrosion	MIL-STD-202, Method 101, Condition B
Vibration	MIL-STD-202, Method 204, Condition D
Shock	MIL-STD-202, Method 213, Condition I
Moisture resistance	MIL-STD-202, Method 106
2002/95/EC (RoHS)	compliant

Shanghai Tuyue electronics Co. Ltd.

Tel.: +86 21 64753655 Fax: +86 21 61257270  
Email: info@tuyue.com.cn Website: www.tuyue.com.cn