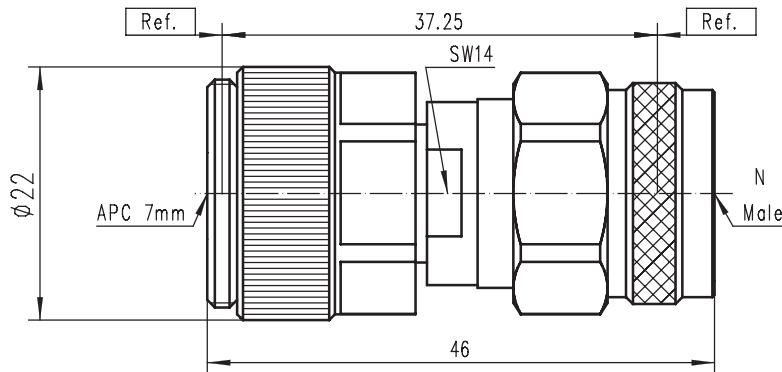


# ADAPTOR APC 7mm – N Male

## APC7-Nm



Code: 100120

### Electrical data

Impedance	50 Ω
Frequency	DC to 18 GHz
Return loss	≥ 26 dB, DC to 18 GHz
Insertion loss	≤ 0.08 × √f(GHz) dB
Insulation resistance	≥ 5G Ω
Center contact resistance	≤ 1.0 mΩ , APC 7mm side      ≤ 3.0 mΩ , 3.5mm side
Outer contact resistance	≤ 0.1 mΩ , APC 7mm side      ≤ 2.0 mΩ , 3.5mm side
Test voltage	1000 V rms
Working voltage	335 V rms
RF leakage	≥ 100 dB up to 1 GHz

### Mechanical data

Mating cycles	≥ 500
Center contact captivation	≥ 28 N
Coupling test torque APC 7mm	1.95 Nm
Recommended torque APC 7mm	1.36 Nm
Coupling test torque 3.5mm	1.70 Nm
Recommended torque 3.5mm	0.80 Nm to 1.10 Nm

### Material and plating

Connector parts	Material	Plating
Center contact	Beryllium copper	Gold, over chemical nickel
Outer contact	Stainless steel	Passivated
Coupling nut	Stainless steel	Passivated
Dielectric	PEI	

### Environmental data

Temperature range	-60°C to +165°C
Thermal shock	IEC 61169-1, Subclause 9.4.4
Corrosion	IEC 61169-1, Subclause 9.4.6
Vibration	IEC 61169-1, Subclause 9.3.3
Shock	IEC 61169-1, Subclause 9.3.14
Moisture resistance	IEC 61169-1, Subclause 9.4.3
2002/95/EC (RoHS)	compliant