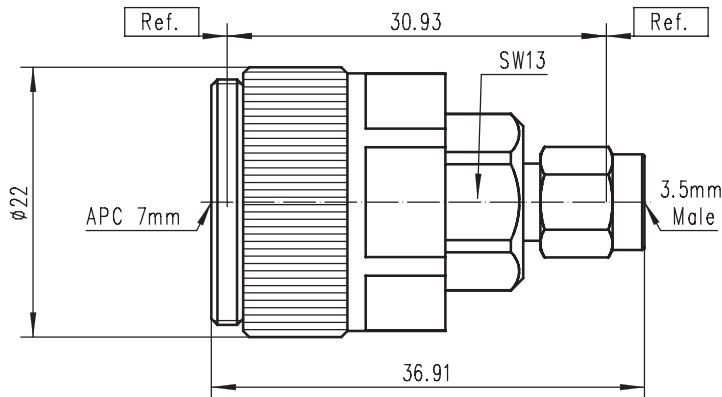


ADAPTOR APC 7mm – 3.5mm Male

APC7-3.5m



Code : 100122

Electrical data

Impedance	50 Ω
Frequency	DC to 18 GHz
Return loss	≥ 26 dB, DC to 18 GHz
Insertion loss	≤ 0.08 × √f(GHz) dB
Insulation resistance	≥ 5G Ω
Center contact resistance	≤ 1.0 mΩ , APC 7mm side ≤ 3.0 mΩ , 3.5mm side
Outer contact resistance	≤ 0.1 mΩ , APC 7mm side ≤ 2.0 mΩ , 3.5mm side
Test voltage	1000 V rms
Working voltage	335 V rms
RF leakage	≥ 100 dB up to 1 GHz

Mechanical data

Mating cycles	≥ 500
Center contact captivation	≥ 28 N
Coupling test torque APC 7mm	1.95 Nm
Recommended torque APC 7mm	1.36 Nm
Coupling test torque 3.5mm	1.70 Nm
Recommended torque 3.5mm	0.80 Nm to 1.10 Nm

Material and plating

Connector parts

Center contact
Outer contact
Coupling nut
Dielectric

Material

Beryllium copper
Stainless steel
Stainless steel
PEI

Plating

Gold, over chemical nickel
Passivated
Passivated

Environmental data

Temperature range	-60°C to+165°C
Thermal shock	IEC 61169-1, Subclause 9.4.4
Corrosion	IEC 61169-1, Subclause 9.4.6
Vibration	IEC 61169-1, Subclause 9.3.3
Shock	IEC 61169-1, Subclause 9.3.14
Moisture resistance	IEC 61169-1, Subclause 9.4.3
2002/95/EC (RoHS)	compliant

Shanghai Tuyue electronics Co. Ltd.

Tel.: +86 21 64753655 Fax: +86 21 61257270
Email: info@tuyue.com.cn Website:www.tuyue.com.cn

Page
1 / 1