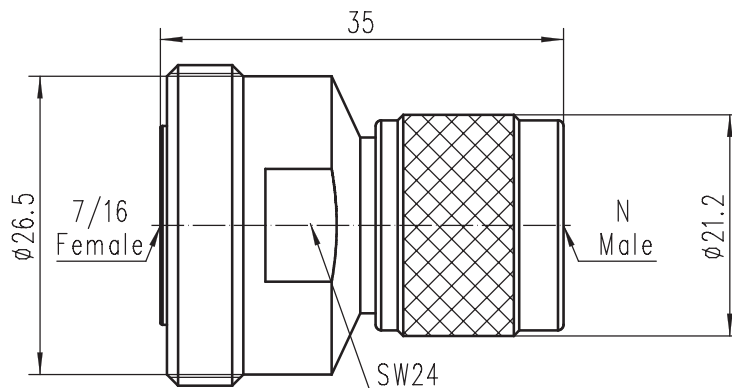


ADAPTOR 7/16 Female – N Male

7/16-N-KJ



Code: 100155

Electrical data

Impedance	50 Ω	
Frequency	DC to 7 GHz	
Return loss	≥ 32 dB, DC to 2.5 GHz	
	≥ 30 dB, 2.5 to 4 GHz	
	≥ 21 dB, 4 to 7 GHz	
Insertion loss	≤ 0.05 dB	
Insulation resistance	≥ 5 × 10 ³ MΩ	
Center contact resistance	≤ 0.4 mΩ, 7/16 side	≤ 1 mΩ, N side
Outer contact resistance	≤ 1.5 mΩ, 7/16 side	≤ 0.25 mΩ, N side
Test voltage	2500 V rms	
Working voltage	1400 V rms	
PIM	≤ -160 dBc	

Mechanical data

Mating cycles	7/16 side min. 500	N side min. 500
Center contact captivation: axial	≥ 200 N	≥ 200 N
radial	≥ 3 Ncm	≥ 3 Ncm
Coupling test torque	max. 35 Nm	max. 1.7 Nm
Recommended torque	25 to 30 Nm	0.7 Nm to 1.1 Nm

Material and plating

Connector parts	Material	Plating
Center contact N side	Brass	Silver, 3-6 μm
Center contact 7/16 side	Phosphor bronze	Silver, 3-6 μm
Outer contact	Brass	Cu-Sn-Zn
Body	Brass	Cu-Sn-Zn
Dielectric	PTFE	

Environmental data

Temperature range	-45°C to +85°C
Rapid change of temperature	IEC 60068-2-14 Test Na
Corrosion salt mist	IEC 60068-2-11 Test Ka
Vibration	IEC 60068-2-6 Test Fc
Shock	IEC 60068-2-27 Test Ea
Degree of protection (mated pair)	IEC 60529, IP68
2002/95/EC (RoHS)	compliant