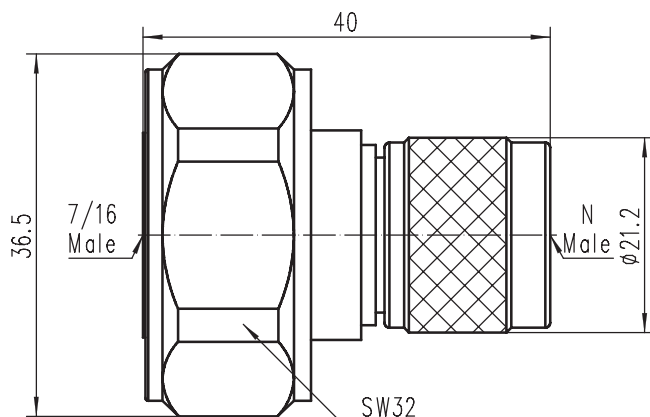


ADAPTOR

7/16 Male – N Male

7/16-N-JJ



Code: 100153

Electrical data

| | | |
|---------------------------|-----------------------------------|---------------------------------|
| Impedance | 50 Ω | |
| Frequency | DC to 7 GHz | |
| Return loss | ≥ 32 dB, DC to 2.5 GHz | |
| | ≥ 30 dB, 2.5 to 4 GHz | |
| | ≥ 21 dB, 4 to 7 GHz | |
| Insertion loss | ≤ 0.05 dB | |
| Insulation resistance | $\geq 5 \times 10^3$ M Ω | |
| Center contact resistance | ≤ 0.4 m Ω , 7/16 side | ≤ 1 m Ω , N side |
| Outer contact resistance | ≤ 1.5 m Ω , 7/16 side | ≤ 0.25 m Ω , N side |
| Test voltage | 2500 V rms | |
| Working voltage | 1400 V rms | |
| PIM | ≤ -160 dBc | |

Mechanical data

| | | |
|-----------------------------------|-----------------------|--------------------|
| Mating cycles | 7/16 side min. 500 | N side min. 500 |
| Center contact captivation: axial | ≥ 200 N | ≥ 200 N |
| radial | ≥ 3 Ncm | ≥ 3 Ncm |
| Coupling test torque | max. 35 Nm | max. 1.7 Nm |
| Recommended torque | 25 to 30 Nm | 0.7 Nm to 1.1 Nm |

Material and plating

| | | |
|--------------------------|-----------------|---------------------|
| Connector parts | Material | Plating |
| Center contact N side | Brass | Silver, 3-6 μ m |
| Center contact 7/16 side | Brass | Silver, 3-6 μ m |
| Outer contact | Brass | Cu-Sn-Zn |
| Body | Brass | Cu-Sn-Zn |
| Dielectric | PTFE | |

Environmental data

| | |
|-----------------------------------|------------------------|
| Temperature range | -45°C to +85°C |
| Rapid change of temperature | IEC 60068-2-14 Test Na |
| Corrosion salt mist | IEC 60068-2-11 Test Ka |
| Vibration | IEC 60068-2-6 Test Fc |
| Shock | IEC 60068-2-27 Test Ea |
| Degree of protection (mated pair) | IEC 60529, IP68 |
| 2002/95/EC (RoHS) | compliant |