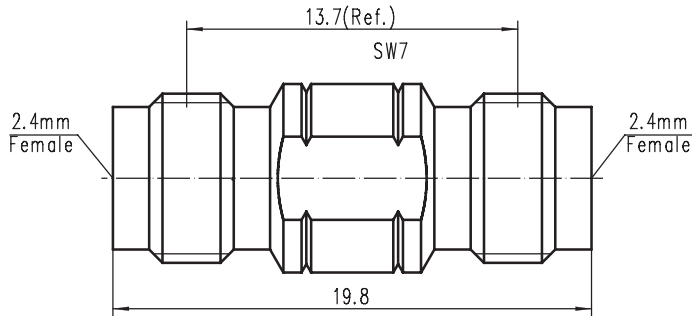


PRECISION ADAPTOR

2.4mm Female - 2.4mm Female

2.4mm-KKG15



Electrical data

Impedance	50 Ω
Frequency	DC to 50GHz
Return loss	$\leq -23\text{dB}$, DC to 50 GHz
Insertion loss	$\leq 0.05 \times \sqrt{f(\text{GHz})}$ dB
Insulation resistance	$\geq 5 \text{ G}\Omega$
Center contact resistance	$\leq 4.0 \text{ m}\Omega$
Outer contact resistance	$\leq 2.5 \text{ m}\Omega$
Test voltage	500V rms
Working voltage	150 V rms
RF-leakage	$\geq 100 \text{ dB}$ up to 1 GHz

Mechanical data

Mating cycles	≥ 500
Center contact captivation	$\geq 20 \text{ N}$
Coupling test torque	1.65 Nm
Recommended torque	0.80 Nm to 1.10 Nm

Material and plating

Connector parts

Center contact
Outer contact
Dielectric

Material

Beryllium copper
Stainless steel
PEI

Plating

Gold, over chemical nickel
Passivated

Environmental data

Temperature range	-60°C to +125°C
Thermal shock	MIL-STD-202, Method 107, Condition B
Corrosion	MIL-STD-202, Method 101, Condition B
Vibration	MIL-STD-202, Method 204, Condition D
Shock	MIL-STD-202, Method 213, Condition I
Moisture resistance	MIL-STD-202, Method 106
2002/95/EC (RoHS)	compliant