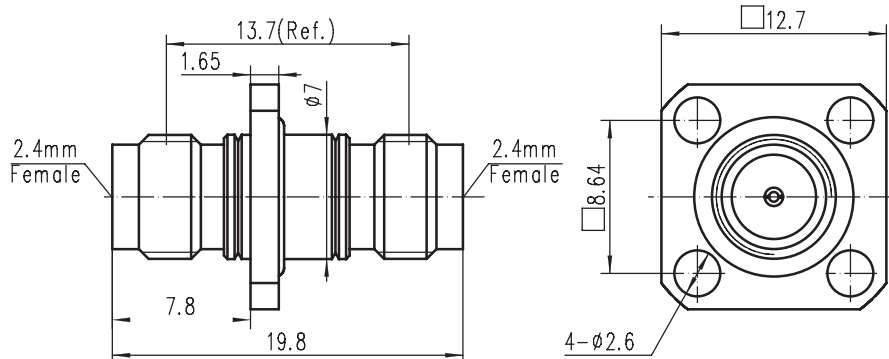


# PRECISION ADAPTOR

## 2.4mm Female - 2.4mm Female

## 2.4mm-KFKG



Code: 100072

### Electrical data

Impedance	50 $\Omega$
Frequency	DC to 50GHz
Return loss	$\geq 20$ dB, DC to 50 GHz
Insertion loss	$\leq 0.06 \times \sqrt{f(\text{GHz})}$ dB
Insulation resistance	$\geq 5$ G $\Omega$
Center contact resistance	$\leq 4.0$ m $\Omega$
Outer contact resistance	$\leq 2.5$ m $\Omega$
Test voltage	500V rms
Working voltage	150 V rms
RF-leakage	$\geq 100$ dB up to 1 GHz

### Mechanical data

Mating cycles	$\geq 500$
Center contact captivation	$\geq 20$ N
Coupling test torque	1.65 Nm
Recommended torque	0.80 Nm to 1.10 Nm

### Material and plating

Connector parts	Material	Plating
Center contact	Beryllium copper	Gold, over chemical nickel
Outer contact	Stainless steel	Passivated
Coupling nut	Stainless steel	Passivated
Dielectric	PEI	

### Environmental data

Temperature range	-60°C to +125°C
Thermal shock	MIL-STD-202, Method 107, Condition B
Corrosion	MIL-STD-202, Method 101, Condition B
Vibration	MIL-STD-202, Method 204, Condition D
Shock	MIL-STD-202, Method 213, Condition I
Moisture resistance	MIL-STD-202, Method 106
2002/95/EC (RoHS)	compliant