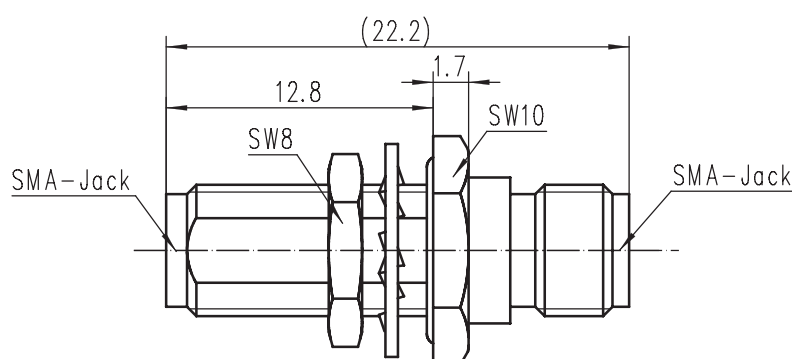
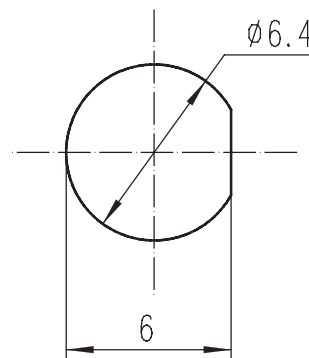


ADAPTOR SMA Female – SMA Female

SMA-KYK



Dimensions of Mounting Holes



Electrical data

Impedance	50 Ω
Frequency	DC to 18 GHz
VSWR	≤ 1.25
Insertion loss	≤ 0.03 × √f(GHz) dB
Insulation resistance	≥ 5 × 10 ³ MΩ
Center contact resistance	≤ 3 mΩ
Outer contact resistance	≤ 2 mΩ
Test voltage	1000 V rms
Working voltage	480 V rms

Mechanical data

Mating cycles	≥ 500
Center contact captivation: axial	≥ 27 N
radial	≥ 3 Ncm
Coupling test torque	max. 1.7 Nm
Recommended torque	0.8 Nm to 1.1 Nm

Material and plating

Connector parts

Center contact
Outer contact
Dielectric

Material

Beryllium copper
Brass
PTFE

Plating

Gold, over chemical nickel
Gold, over chemical nickel

Environmental data

Temperature range	-65°C to +165°C
Thermal shock	MIL-STD-202, Method 107, Condition B
Corrosion	MIL-STD-202, Method 101, Condition B
Vibration	MIL-STD-202, Method 204, Condition D
Shock	MIL-STD-202, Method 213, Condition I
Moisture resistance	MIL-STD-202, Method 106
2002/95/EC(RoHS)	compliant

Shanghai Tuyue electronics Co. Ltd.

Tel.: +86 21 64753655 Fax: +86 21 61257270
Email: info@tuyue.com.cn Website: www.tuyue.com.cn