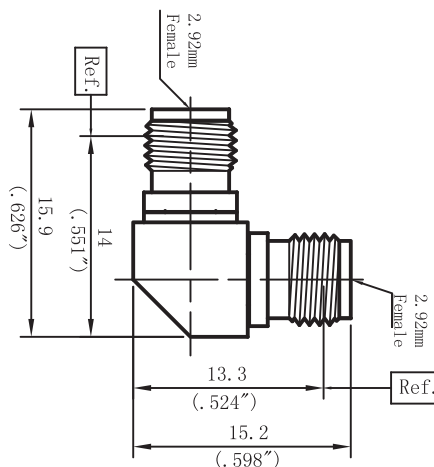


# PRECISION ADAPTOR

## RA 2.92mm Female - 2.92mm Female

2.92mm-KWKG



### Electrical data

Impedance	50 Ω
Frequency	DC to 40GHz
Return loss	≥ -19 dB, DC to 40 GHz
Insertion loss	≤ 0.05 x √f(GHz) dB
Insulation resistance	≥ 5 GΩ
Center contact resistance	≤ 3.0 mΩ
Outer contact resistance	≤ 5.0 mΩ
Test voltage	500V rms
Working voltage	100 V rms
RF-leakage	≥ 100 dB up to 1 GHz

### Mechanical data

Mating cycles	≥ 500
Center contact captivation	≥ 27 N
Coupling test torque	1.70 Nm
Recommended torque	0.80 Nm to 1.10 Nm

### Material and plating

Connector parts	Material	Plating
Center contact	CuBe	Gold, over chemical nickel
Outer contact	Stainless steel	Passivated
Dielectric	PEI	

### Environmental data

Temperature range	-60°C to +125°C
Thermal shock	MIL-STD-202, Method 107, Condition B
Corrosion	MIL-STD-202, Method 101, Condition B
Vibration	MIL-STD-202, Method 204, Condition D
Shock	MIL-STD-202, Method 213, Condition I
Moisture resistance	MIL-STD-202, Method 106
2002/95/EC (RoHS)	compliant