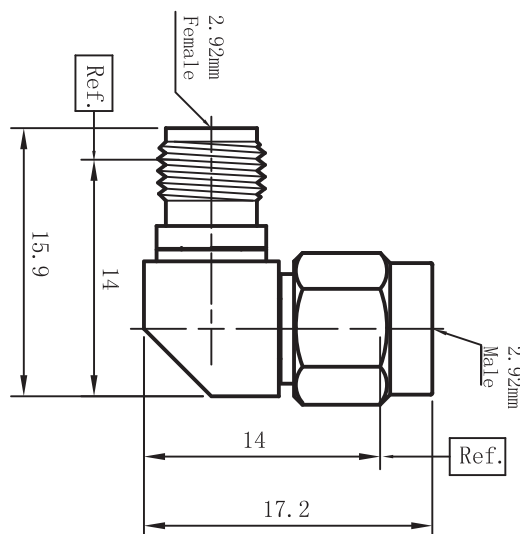


PRECISION ADAPTOR RA 2.92mm Male - 2.92mm Female

2.92mm-JWKG



Electrical data

Impedance	50 Ω
Frequency	DC to 40GHz
Return loss	≤ -19 dB, DC to 40 GHz
Insertion loss	≤ 0.05 × √f(GHz) dB
Insulation resistance	≥ 5 GΩ
Center contact resistance	≤ 3.0 mΩ
Outer contact resistance	≤ 5.0 mΩ
Test voltage	500V rms
Working voltage	100 V rms
RF-leakage	≥ 100 dB up to 1 GHz

Mechanical data

Mating cycles	≥ 500
Center contact captivation	≥ 27 N
Coupling test torque	1.70 Nm
Recommended torque	0.80 Nm to 1.10 Nm

Material and plating

Connector parts	Material	Plating
Center contact	CuBe	Gold, over chemical nickel
Outer contact	Stainless steel	Passivated
Coupling nut	Stainless steel	Passivated
Dielectric	PEI	

Environmental data

Temperature range	-60°C to +125°C
Thermal shock	MIL-STD-202, Method 107, Condition B
Corrosion	MIL-STD-202, Method 101, Condition B
Vibration	MIL-STD-202, Method 204, Condition D
Shock	MIL-STD-202, Method 213, Condition I
Moisture resistance	MIL-STD-202, Method 106
2002/95/EC (RoHS)	compliant