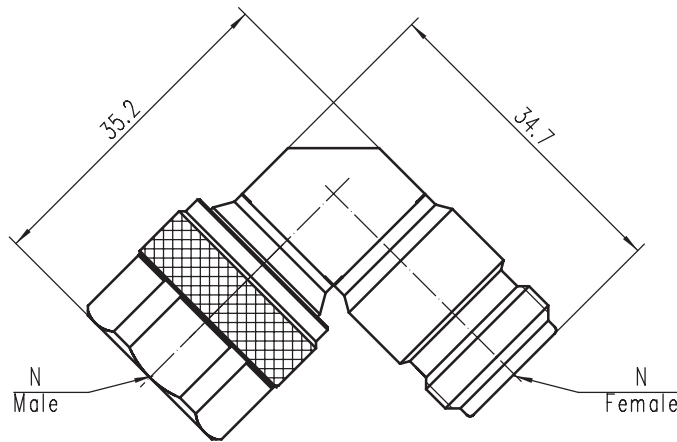


PRECISION ADAPTOR 90 DEG N Female - N Male

N-JWKG



Electrical data

Impedance	50 Ω
Frequency	DC to 18GHz
VSWR	≤ 1.30 , DC to 18 GHz
Insertion loss	$\leq 0.09 \times \sqrt{f(\text{GHz})}$ dB
Insulation resistance	$\geq 5 \text{ G}\Omega$
Center contact resistance	$\leq 2.0 \text{ m}\Omega$
Outer contact resistance	$\leq 5.0 \text{ m}\Omega$
Test voltage	1500 V rms
Working voltage	500 V rms
RF-leakage	$\geq 90 \text{ dB}$ up to 1 GHz

Mechanical data

Mating cycles	≥ 500
Center contact captivation	$\geq 28 \text{ N}$
Coupling test torque	1.70 Nm
Recommended torque	0.70 Nm to 1.10 Nm

Material and plating

Connector parts

Center contact
Outer contact
Coupling nut
Dielectric

Material

Beryllium copper
Stainless steel
Stainless steel
PEI

Plating

Gold, over chemical nickel
Passivated
Passivated

Environmental data

Temperature range	-40°C to +125°C
Thermal shock	IEC 61169-1, Subclause 9.4.4
Corrosion	IEC 61169-1, Subclause 9.4.6
Vibration	IEC 61169-1, Subclause 9.3.3
Shock	IEC 61169-1, Subclause 9.3.14
Moisture resistance	IEC 61169-1, Subclause 9.4.3
2002/95/EC (RoHS)	compliant