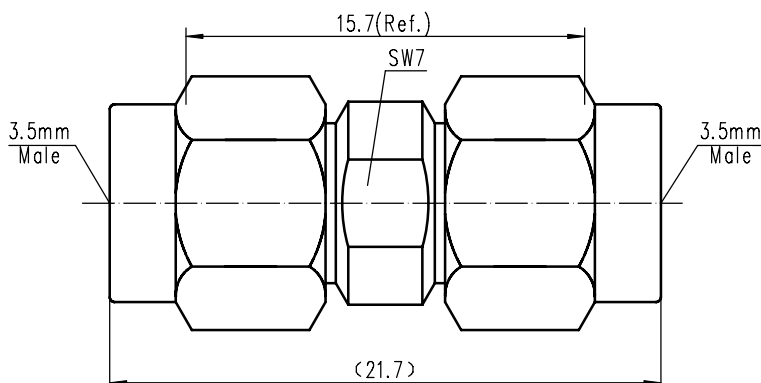


CALIBRATION ADAPTOR

3.5mm Male - 3.5mm Male

3.5mm-JJG12



Code: 100265

Electrical data

Impedance	50 Ω
Frequency	DC to 33GHz
VSWR	≤ 1.12 , DC to 26.5 GHz
Insertion loss	$\leq 0.05 \times \sqrt{f(\text{GHz})}$ dB
Insulation resistance	$\geq 5 \text{ G}\Omega$
Center contact resistance	$\leq 4.0 \text{ m}\Omega$
Outer contact resistance	$\leq 2.5 \text{ m}\Omega$
Test voltage	500V rms
Working voltage	150 V rms
RF-leakage	$\geq 90 \text{ dB}$ up to 1 GHz

Mechanical data

Mating cycles	≥ 500
Center contact captivation	$\geq 20 \text{ N}$
Coupling test torque	1.65 Nm
Recommended torque	0.80 Nm to 1.10 Nm

Material and plating

Connector parts

Center contact
Outer contact
Coupling nut
Dielectric

Material

Beryllium copper
Stainless steel
Stainless steel
PEI

Plating

Gold, over chemical nickel
Passivated
Passivated

Environmental data

Operating Temperature	0°C to +50°C
Storage Temperature	-40°C to +85°C
Thermal shock	MIL-STD-202, Method 107, Condition B
Corrosion	MIL-STD-202, Method 101, Condition B
Vibration	MIL-STD-202, Method 204, Condition D
Shock	MIL-STD-202, Method 213, Condition I
Moisture resistance	MIL-STD-202, Method 106
2002/95/EC (RoHS)	compliant