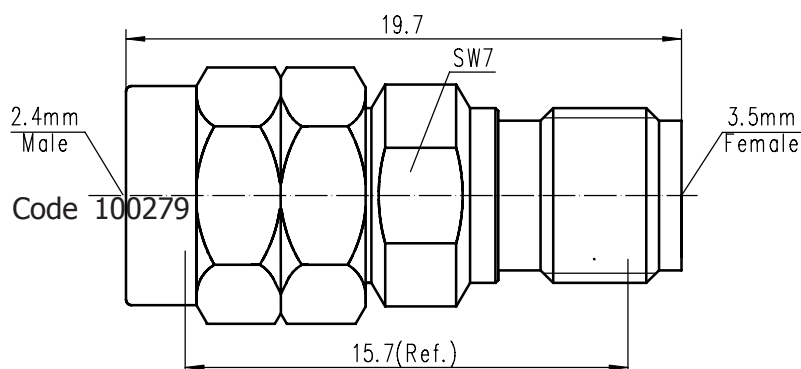


# CALIBRATION ADAPTOR

## 2.4mm Male – 3.5mm Female

### 3.5mm/2.4mm-KJG12



#### Electrical data

Impedance	50 Ω	
Frequency	DC to 33 GHz	
Return loss	≤1.12, DC to 26.5 GHz	
Insertion loss	≤ 0.05 × √f(GHz) dB	
Insulation resistance	≥ 5G Ω	
Center contact resistance	≤ 3.0 mΩ , 3.5 side	≤ 4.0 mΩ, 2.4 side
Outer contact resistance	≤ 2.0 mΩ , 3.5 side	≤ 2.5 mΩ , 2.4 side
Test voltage	500 V rms	
Working voltage	150 V rms	
RF leakage	≥ 100 dB up to 1 GHz	

#### Mechanical data

Mating cycles	≥ 500
Center contact captivation	≥ 27 N
Coupling test torque 3.5	1.70 Nm
Recommended torque 3.5	0.80 Nm to 1.10 Nm
Coupling test torque 2.4	1.65Nm
Recommended torque 2.4	0.80 Nm to 1.10 Nm

#### Material and plating

##### Connector parts

Center contact  
Outer contact  
Coupling nut  
Dielectric

##### Material

Beryllium copper  
Stainless steel  
Stainless steel  
PEI

##### Plating

Gold, over chemical nickel  
Passivated  
Passivated

#### Environmental data

Operating Temperature	0°C to +50°C
Storage Temperature	-40°C to +85°C
Thermal shock	MIL-STD-202, Method 107, Condition B
Corrosion	MIL-STD-202, Method 101, Condition B
Vibration	MIL-STD-202, Method 204, Condition D
Shock	MIL-STD-202, Method 213, Condition I
Moisture resistance	MIL-STD-202, Method 106
2002/95/EC (RoHS)	compliant