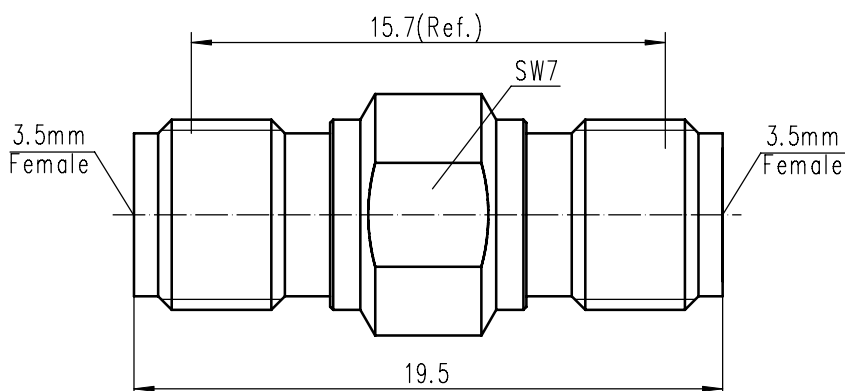


# CALIBRATION ADAPTOR

## 3.5mm Female - 3.5mm Female

### 3.5mm-KKG12



Code: 100267

#### Electrical data

Impedance	50 $\Omega$
Frequency	DC to 33GHz
VSWR	$\leq 1.12$ , DC to 26.5 GHz
Insertion loss	$\leq 0.05 \times \sqrt{f(\text{GHz})}$ dB
Insulation resistance	$\geq 5 \text{ G}\Omega$
Center contact resistance	$\leq 4.0 \text{ m}\Omega$
Outer contact resistance	$\leq 2.5 \text{ m}\Omega$
Test voltage	500V rms
Working voltage	150 V rms
RF-leakage	$\geq 90$ dB up to 1 GHz

#### Mechanical data

Mating cycles	$\geq 500$
Center contact captivation	$\geq 20 \text{ N}$
Coupling test torque	1.65 Nm
Recommended torque	0.80 Nm to 1.10 Nm

#### Material and plating

Connector parts	Material	Plating
Center contact	Beryllium copper	Gold, over chemical nickel
Outer contact	Stainless steel	Passivated
Coupling nut	Stainless steel	Passivated
Dielectric	PEI	

#### Environmental data

Operating Temperature	0°C to +50°C
Storage Temperature	-40°C to +85°C
Thermal shock	MIL-STD-202, Method 107, Condition B
Corrosion	MIL-STD-202, Method 101, Condition B
Vibration	MIL-STD-202, Method 204, Condition D
Shock	MIL-STD-202, Method 213, Condition I
Moisture resistance	MIL-STD-202, Method 106
2002/95/EC (RoHS)	compliant