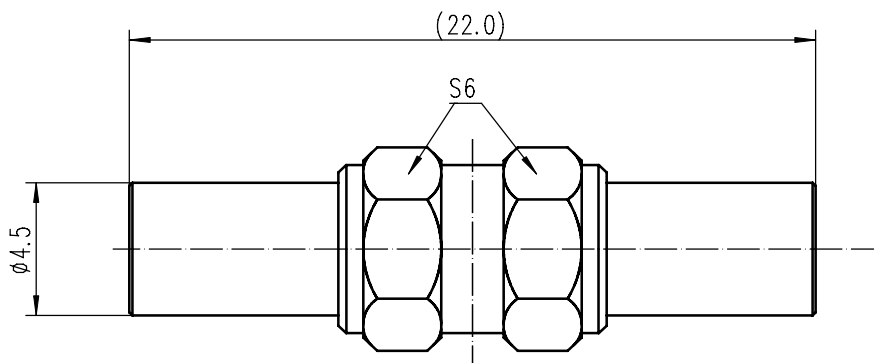


ADAPTOR MCX Female – MCX Female

MCX-KK



Code:100168

Electrical data

Impedance	50 Ω
Frequency	DC to 6 GHz
Return loss	≥ 28 dB, DC to 1 GHz ≥ 26 dB, 2 to 4 GHz ≥ 23 dB, 4 to 6 GHz
Insertion loss	$\leq 0.05 \times \sqrt{f(\text{GHz})}$ dB
Insulation resistance	≥ 1 G Ω
Center contact resistance	≤ 5.0 m Ω , MCX side;
Outer contact resistance	≤ 2.5 m Ω , MCX side;
Test voltage	750 V rms
Working voltage	335 V rms
Contact Current	1.5A DC max.

Mechanical data

Mating cycles	MCX ≥ 500
Center contact captivation: axial	≥ 27 N
Engagement force	≤ 25 N
Disengagement force	8 N min. to 20 N max.
Coupling test torque	N/A
Recommended torque	N/A

Material and plating

Connector parts

Center contact
Outer contact MCX
Outer contact SMA
Dielectric

Material

Beryllium copper
Brass
Brass
PTFE

Plating

Gold plated
Gold plated
Gold plated

Environmental data

Temperature range	-60 $^{\circ}$ C to +165 $^{\circ}$ C
Thermal shock	CECC 22 220, Chapter 4.6.7
Vibration	CECC 22 220, Chapter 4.6.3
Corrosion	CECC 22 220, Chapter 4.6.10
Moisture resistance	CECC 22 220, Chapter 4.6.6
2002/95/EC (RoHS)	compliant