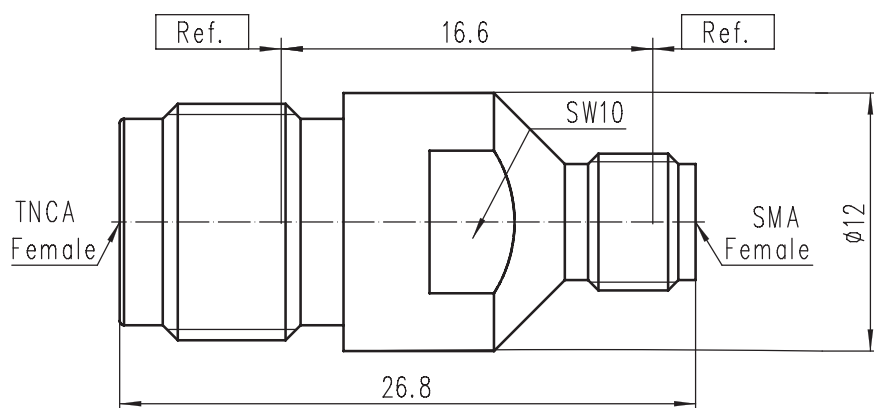


ADAPTOR TNCA Female – SMA Female

TNCA/SMA-KKG



Code: 100115

Electrical data

Impedance	50 Ω	
Frequency	DC to 18 GHz	
Return loss	≥ 20 dB, DC to 18 GHz	
Insertion loss	≤ 0.1 × √f(GHz) dB	
Insulation resistance	≥ 5 GΩ	
Center contact resistance	≤ 1.5 mΩ , TNCA side	≤ 3.0 mΩ , SMA side
Outer contact resistance	≤ 1.0 mΩ , TNCA side	≤ 2.0 mΩ , SMA side
Test voltage	1000 V rms	
Working voltage	480 V rms	
RF leakage	≥ 90 dB up to 1 GHz	

Mechanical data

Mating cycles	≥ 500
Center contact captivation	≥ 27 N
Coupling test torque TNCA	1.70 Nm
Recommended torque TNCA	0.46 Nm to 0.69 Nm
Coupling test torque SMA	1.70 Nm
Recommended torque SMA	0.80 Nm to 1.10 Nm

Material and plating

Connector parts

Center contact
Outer contact
Dielectric

Material

Beryllium copper
Stainless steel
PEI

Plating

Gold, over chemical nickel
Passivated

Environmental data

Temperature range	-60°C to +165°C
Thermal shock	MIL-STD-202, Method 107, Condition B
Corrosion	MIL-STD-202, Method 101, Condition B
Vibration	MIL-STD-202, Method 204, Condition D
Shock	MIL-STD-202, Method 213, Condition I
Moisture resistance	MIL-STD-202, Method 106
2002/95/EC (RoHS)	compliant

Shanghai Tuyue electronics Co. Ltd.

Tel.: +86 21 64753655 Fax: +86 21 61257270
Email: info@tuyue.com.cn Website: www.tuyue.com.cn