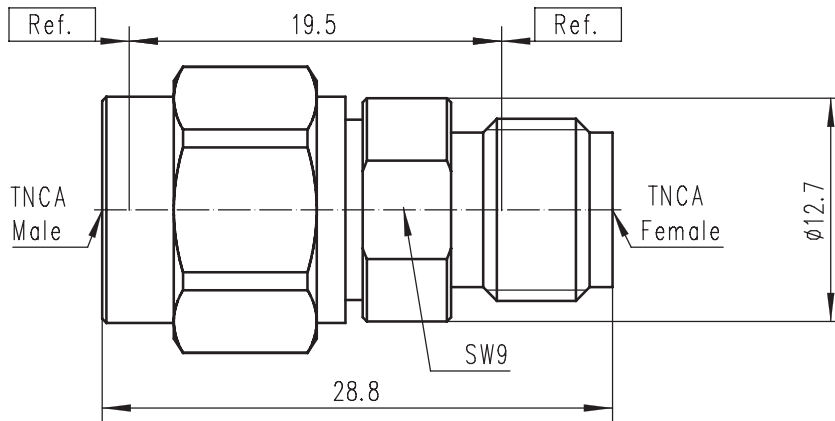


# ADAPTOR TNCA Male - TNCA Female

## TNCA-JKG



Code: 100128

### Electrical data

Impedance	50 $\Omega$
Frequency	DC to 18GHz
Return loss	$\geq 21$ dB, DC to 18 GHz
Insertion loss	$\leq 0.05 \times \sqrt{f(\text{GHz})}$ dB
Insulation resistance	$\geq 5$ G $\Omega$
Center contact resistance	$\leq 1.5$ m $\Omega$
Outer contact resistance	$\leq 1.0$ m $\Omega$
Test voltage	1500 V rms
Working voltage	500 V rms
RF-leakage	$\geq 90$ dB up to 1 GHz

### Mechanical data

Mating cycles	$\geq 500$
Center contact captivation	$\geq 27$ N
Coupling test torque	1.70 Nm
Recommended torque	0.46 Nm to 0.69 Nm

### Material and plating

Connector parts	Material	Plating
Center contact	Beryllium copper	Gold, over chemical nickel
Outer contact	Stainless steel	Passivated
Coupling nut	Stainless steel	Passivated
Dielectric	PEI	

### Environmental data

Temperature range	-60°C to +165°C
Thermal shock	MIL-STD-202, Method 107, Condition B
Corrosion	MIL-STD-202, Method 101, Condition B
Vibration	MIL-STD-202, Method 204, Condition D
Shock	MIL-STD-202, Method 213, Condition I
Moisture resistance	MIL-STD-202, Method 106
2002/95/EC (RoHS)	compliant

Shanghai Tuyue electronics Co. Ltd.

Tel.: +86 21 64753655 Fax: +86 21 61257270  
Email: info@tuyue.com.cn Website: www.tuyue.com.cn

Page  
1 / 1