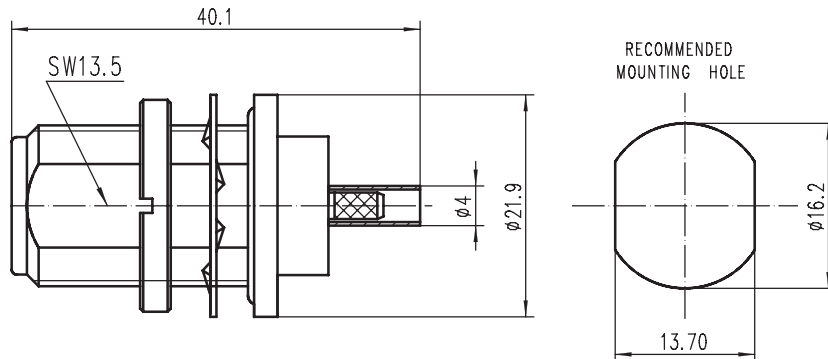


CONNECTOR

N-Female With RG316 Cable

N-KY3-M



Code : 200034

Electrical data

Impedance	50 Ω
Frequency	DC to 6 GHz
Return loss	≤ 1.35 , DC to 3 GHz
Insertion loss	≤ 0.05 dB
Insulation resistance	$\geq 5 \times 10^4$ M Ω
Center contact resistance	≤ 1 m Ω^3
Outer contact resistance	≤ 0.25 m Ω
Test voltage	2500 V rms
Working voltage	1400 V rms
RF-leakage	≥ 55 dB up to 1 GHz

Mechanical data

Mating cycles	min. 500
Coupling nut retention	≥ 450 N
Coupling test torque	max. 1.7 Nm
Recommended torque	0.7 Nm to 1.1 Nm

Material and plating

Connector parts	Material	Plating
Center contact	CuBe	Gold plated
Outer contact	Brass	Ni plated
Coupling nut	Brass	Ni plated
Dielectric	PTFE	

Environmental data

Temperature range	-55°C to +125°C
Thermal shock	MIL-STD-202, Meth. 107, Cond. B
Corrosion	MIL-STD-202, Meth. 101, Cond. B
Vibration	MIL-STD-202, Meth. 204, Cond. B
Shock	MIL-STD-202, Meth. 213, Cond. I
Moisture resistance	MIL-STD-202, Meth. 106
2002/95/EC (RoHS)	compliant