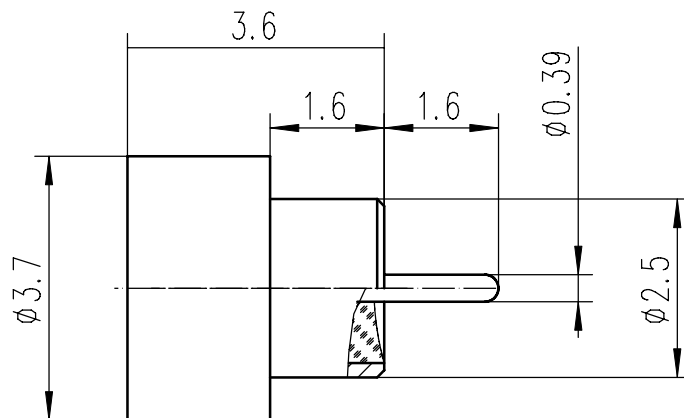


CONNECTOR

SMP - Male Hermetic

SMP-JYD-F



Code:260512

Electrical data

Impedance	50 Ω
Frequency	DC to 26.5 GHz
VSWR	≤ 1.35, DC to 26.5GHz
Insertion loss	≤ 0.05 x √f(GHz) dB , DC to 26.5 GHz
Insulation resistance	≥ 5 GΩ
Center contact resistance	≤ 6.0 mΩ
Outer contact resistance	≤ 2.0 mΩ
Test voltage	500 V rms
Working voltage	335 V rms
Contact Current	1.2A DC max.

Mechanical data

Mating cycles	≥ 100
Center contact captivation	≥ 7 N
Engagement force	
- Full detent	68 N max.
Disengagement force	
- Full detent	22 N min.

Material and plating

Connector parts	Material	Plating
Center contact	Kover per ASTM 15-78	Gold, over chemical nickle
Outer contact	Kover per ASTM 15-78	Gold, over chemical nickle
Dielectric	corning 7070 galss	

Environmental data

Temperature range	-65°C to +155°C
Thermal shock	MIL-STD-202, Method 107, Condition B
Vibration	MIL-STD-202, Method 204, Condition A
Shock	MIL-STD-202, Method 213, Condition A
Moisture resistance	MIL-STD-202, Method 106
Soldering temperature	250°C max.
2002/95/EC (RoHS)	compliant

Shanghai Tuyue Electronics Co. Ltd.

Tel.: +86 21 64753655 Fax: +86 21 61257270
 Email: info@tuyue.com.cn Website:www.tuyue.com.cn

Page

1 / 1