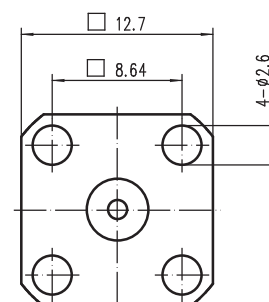
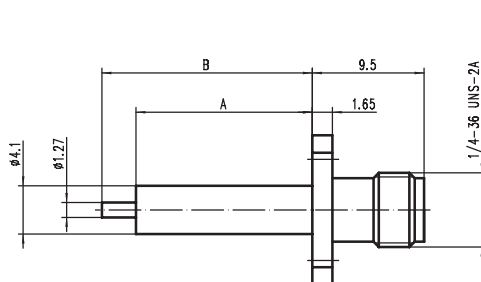
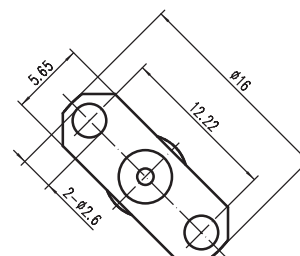
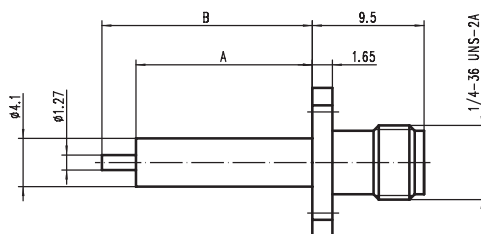


# SMA系列圆形内导体连接器



型号	代码	主体材料及涂覆	A*(mm)	B*(mm)	固定方式
SMA-KFD507	130 526	brass,gold (SS**, passivated)	12.7	15.9	灌封
SMA-KFD507-1	130 527	brass,gold (SS**, passivated)	12.7	15.9	压铆
SMA-KFD507-2	130 528	brass,gold (SS**, passivated)	12.7	15.9	
SMA-KFD508	130 529	brass,gold (SS**, passivated)	15	15.9	灌封
SMA-KFD508-1	130 530	brass,gold (SS**, passivated)	15	15.9	压铆
SMA-KFD508-2	130 531	brass,gold (SS**, passivated)	15	15.9	

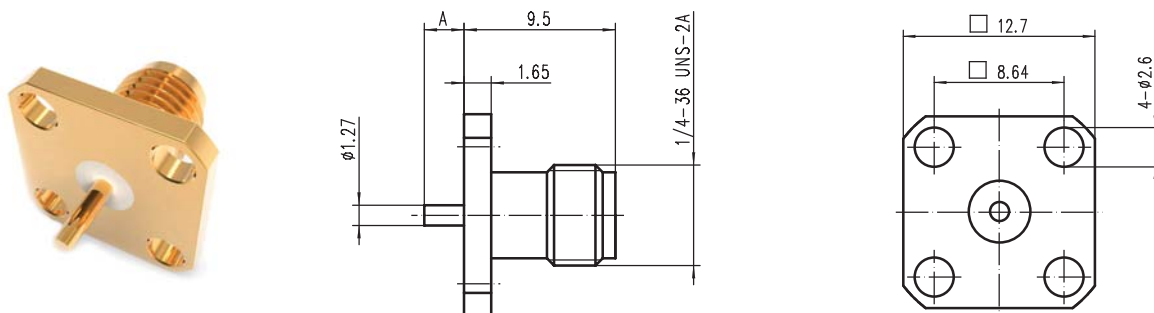
\* A和B尺寸可以定制  
 \*\*后缀加G表示不锈钢材料



型号	代码	主体材料及涂覆	A*(mm)	B*(mm)	固定方式
SMA-KFD507A	130 532	brass,gold(SS**, passivated)	12.7	15.9	灌封
SMA-KFD507A-1	130 533	brass,gold(SS**, passivated)	12.7	15.9	压铆
SMA-KFD507A-2	130 534	brass,gold(SS**, passivated)	12.7	15.9	
SMA-KFD508A	130 535	brass,gold(SS**, passivated)	15	17.9	灌封
SMA-KFD508A-1	130 536	brass,gold(SS**, passivated)	15	17.9	压铆
SMA-KFD508A-2	130 537	brass,gold(SS**, passivated)	15	17.9	

\* A和B尺寸可以定制  
 \*\*后缀加G表示不锈钢材料

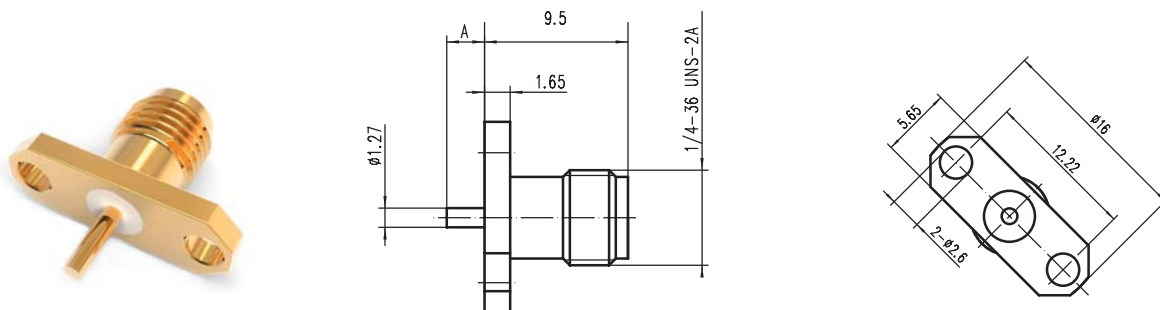
## SMA系列圆形内导体连接器



型号	代码	主体材料及涂覆	A*(mm)	固定方式
SMA-KFD509	130 538	brass,gold (SS**, passivated)	2.2	灌封
SMA-KFD509-1	130 539	brass,gold (SS**, passivated)	2.2	压铆
SMA-KFD509-2	130 540	brass,gold (SS**, passivated)	2.2	
SMA-KFD510	130 541	brass,gold (SS**, passivated)	5	灌封
SMA-KFD510-1	130 542	brass,gold (SS**, passivated)	5	压铆
SMA-KFD510-2	130 543	brass,gold (SS**, passivated)	5	

\* A尺寸可以定制

\*\*后缀加G表示不锈钢材料

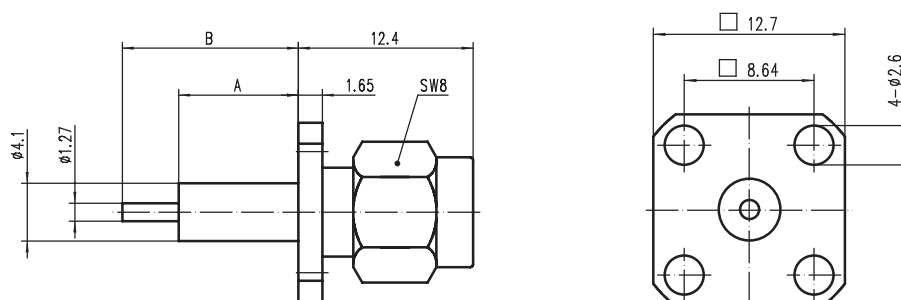


型号	代码	主体材料及涂覆	A*(mm)	固定方式
SMA-KFD509A	130 544	brass,gold(SS**, passivated)	2.2	灌封
SMA-KFD509A-1	130 545	brass,gold(SS**, passivated)	2.2	压铆
SMA-KFD509A-2	130 546	brass,gold(SS**, passivated)	2.2	
SMA-KFD510A	130 547	brass,gold(SS**, passivated)	5	灌封
SMA-KFD510A-1	130 548	brass,gold(SS**, passivated)	5	压铆
SMA-KFD510A-2	130 549	brass,gold(SS**, passivated)	5	

\* A尺寸可以定制

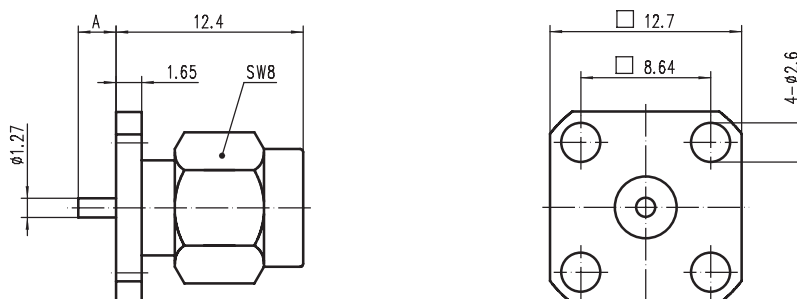
\*\*后缀加G表示不锈钢材料

# SMA系列圆形内导体连接器



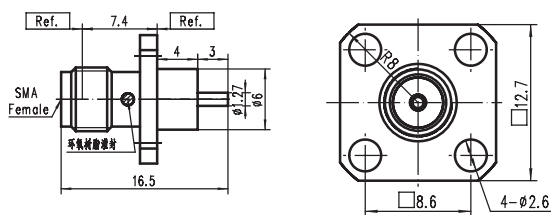
型号	代码	主体材料及涂覆	A*(mm)	B*(mm)	固定方式
SMA-JFD503	130 550	brass,gold (SS**, passivated)	4	6.5	灌封
SMA-JFD503-1	130 551	brass,gold (SS**, passivated)	4	6.5	压铆
SMA-JFD503-2	130 552	brass,gold (SS**, passivated)	4	6.5	
SMA-JFD504	130 553	brass,gold (SS**, passivated)	8.5	12.5	灌封
SMA-JFD504-1	130 554	brass,gold (SS**, passivated)	8.5	12.5	压铆
SMA-JFD504-2	130 555	brass,gold (SS**, passivated)	8.5	12.5	

\* A和B尺寸可以定制  
 \*\*后缀加G表示不锈钢材料

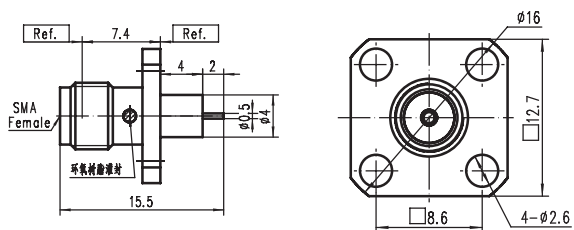


型号	代码	主体材料及涂覆	A*(mm)	固定方式
SMA-JFD3	130 101	brass,gold (SS**, passivated)	2.2	灌封
SMA-JFD3-1	130 102	brass,gold (SS**, passivated)	2,2	压铆
SMA-JFD3-2	130 103	brass,gold (SS**, passivated)	2,2	
SMA-JFD4	130 104	brass,gold (SS**, passivated)	5	灌封
SMA-JFD4-1	130 105	brass,gold (SS**, passivated)	5	压铆
SMA-JFD4-2	130 106	brass,gold (SS**, passivated)	5	

\* A尺寸可以定制  
 \*\*后缀加G表示不锈钢材料



CODE: 130605  
 TYPE: SMA - KFD524G  
 Freq: DC - 18GHz



CODE: 130607  
 TYPE: SMA - KFD529G  
 Freq: DC - 18GHz