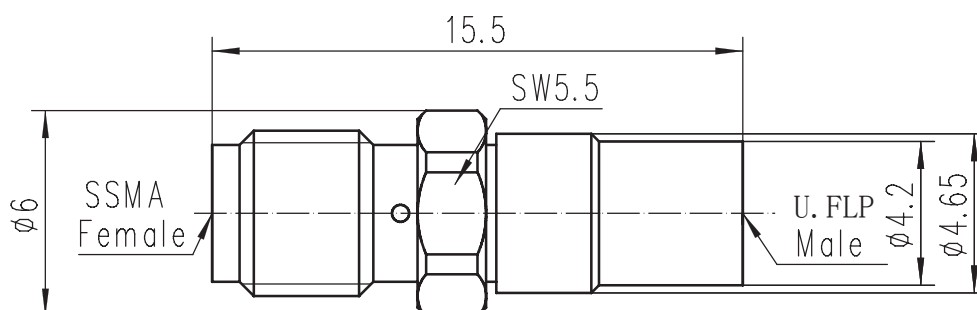


ADAPTOR SSMA Female-U.FLP Male

SSMA/U.FLP-KK



Code: 100161

This part can be used to test wireless system, such as Mobile phone, Wireless LAN, mini-PCI, Bluetooth, PDA, GPS etc.. It match with Hirose U.FL series, I-PEX 20431 and Amphenol AMC series etc. receptacles.

This connector is used by compressing the mated portion of U.FL side(if with Hirose product) onto the U.FL-R-SMT Portion.

Electrical Characteristics	
Impedance	50 Ω
Frequency	DC ~ 6 GHz
VSWR	$\leq 1.30:1$
Rated Voltage	150 Vrms (AC)
Insulation Resistance	$\geq 500 \text{ M}\Omega$
Contact Resistance	$\leq 0.05 \Omega$
Operating Temperature	-40 to +85 $^{\circ}\text{C}$

Mechanical Characteristics	
matings	≥ 10000 Cycles

Materials & Finish	
Housing	Copper Alloy & Gold / Nickel Plated
Center Contact	CuBe & Gold Plated
Insulator	PTFE