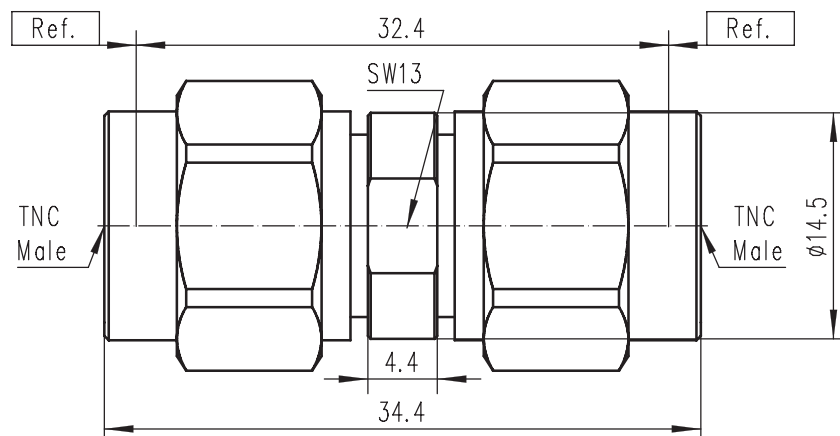


ADAPTOR TNC Male – TNC Male

TNC-JJG



Code : 100130

Electrical data

Impedance	50 Ω
Frequency	DC to 11 GHz
Return loss	≥ 30 dB, DC to 2.5 GHz ≥ 20 dB, 2.5 to 6 GHz
Insertion loss	≤ 0.05 dB, DC to 8 GHz
Insulation resistance	≥ 5 × 10 ³ MΩ
Center contact resistance	≤ 1.5 mΩ
Outer contact resistance	≤ 1.0 mΩ
Test voltage	1500 V rms
Working voltage	500 V rms
RF leakage	≥ 90 dB up to 1GHz

Mechanical data

Mating cycles	min. 500
Center contact captivation: axial	≥ 15 N
Coupling test torque	max. 1.7 Nm
Recommended torque	0.46 Nm to 0.69 Nm

Material and plating

Connector parts

Center contact
Outer contact
Coupling nut
Dielectric

Material

Beryllium copper
Stainless steel
Stainless steel
PTFE

Plating

Gold, over chemical nickel
Passivated
Passivated

Environmental data

Temperature range	-45°C to +85°C
Thermal shock	MIL-STD-202, Method 107, Condition B
Corrosion	MIL-STD-202, Method 101, Condition B
Vibration	MIL-STD-202, Method 204, Condition D
Shock	MIL-STD-202, Method 213, Condition I
Moisture resistance	MIL-STD-202, Method 106
2002/95/EC(RoHS)	compliant

Shanghai Tuyue electronics Co. Ltd.

Tel.: +86 21 64753655 Fax: +86 21 61257270
Email: info@tuyue.com.cn Website: www.tuyue.com.cn