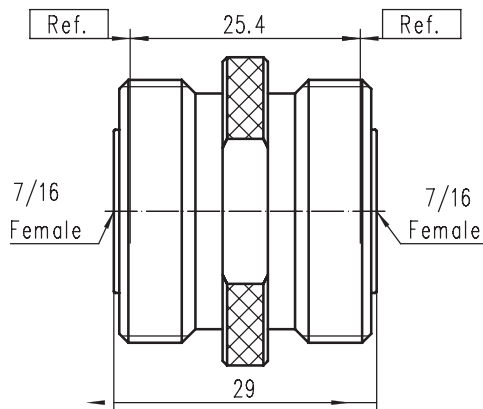


ADAPTOR

7/16 Female – 7/16 Female

7/16-KK



Code: 100034

Electrical data

Impedance	50 Ω
Frequency	DC to 7.5 GHz
Return loss	≥ 30 dB, DC to 2.5 GHz ≥ 28 dB, 2.5 to 4 GHz ≥ 23 dB, 4 to 6 GHz
Insertion loss	≤ 0.05 dB
Insulation resistance	$\geq 10^4$ M Ω
Center contact resistance	≤ 0.4 m Ω
Outer contact resistance	≤ 1.5 m Ω
Test voltage (at sea level)	4000 V rms,
Working voltage (at sea level)	2700 V rms,
Power handling (at 20 °C, sea level, VSWR 1.0)	1600 W @ 1 GHz 700 W @ 4 GHz
Intermodulation (3rd order)	≤ -117 dBm @ 2 x 20 W

Mechanical data

Mating cycles	min. 500
Coupling nut retention	≥ 1000 N
Center contact captivation: axial	≥ 200 N
radial	≥ 3 Ncm
Coupling torque (recommended)	25 to 30 Nm
Proof torque	max. 35 Nm

Material and plating

Connector parts	Material	Plating
Center contact	Phosphor Bronze	Silver, 3-6 μ m
Outer contact	Brass	Cu-Sn-Zn
Dielectric	PTFE	

Environmental data

Temperature range	-45°C to +85°C
Rapid change of temperature	DIN EN 122190, clause 4.6.7
Corrosion salt mist	DIN EN 122190, clause 4.6.10
Vibration	DIN EN 122190, clause 4.6.3
Damp heat	DIN EN 122190, clause 4.6.6
Climatic tests	DIN EN 122190, clause 4.6.5 (45/85/56)
Degree of protection (mated pair)	IEC 60529, IP68
2002/95/EC (RoHS)	compliant