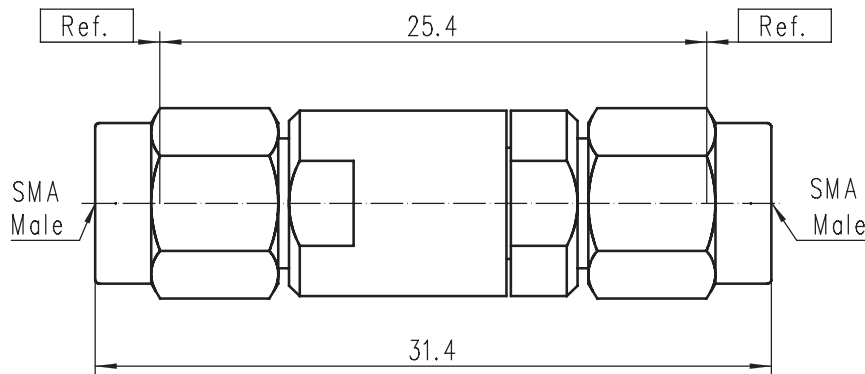


ADAPTOR SMA Male - SMA Male

SMA-JJG



Code: 100013

Electrical data

Impedance	50 Ω
Frequency	DC to 27 GHz
VSWR	≤ 1.15 , DC to 27 GHz
Insertion loss	$\leq 0.03 \times \sqrt{f(\text{GHz})}$ dB
Insulation resistance	$\geq 5 \times 10^3$ M Ω
Center contact resistance	≤ 3 m Ω
Outer contact resistance	≤ 2 m Ω
Test voltage	1000 V rms
Working voltage	480 V rms
Power handling(at 20 °C, sea level, VSWR 1.0)	≤ 200 W @ 2 GHz
RF-leakage	≥ 100 dB up to 1 GHz

Mechanical data

Mating cycles	min. 500
Coupling nut retention	≥ 270 N
Coupling test torque	max. 1.7 Nm
Recommended torque	0.8 Nm to 1.1 Nm

Material and plating

Connector parts	Material	Plating
Center contact	CuBe	Gold
Outer contact	Stainless Steel	Passivated
Coupling nut	Stainless Steel	Passivated
Dielectric	PTFE	
Gasket	Silicone	

Environmental data

Temperature range	-65°C to +165°C
Thermal shock	MIL-STD-202, Method 107, Condition B
Corrosion	MIL-STD-202, Method 101, Condition B
Vibration	MIL-STD-202, Method 204, Condition D
Shock	MIL-STD-202, Method 213, Condition I
Moisture resistance	MIL-STD-202, Method 106
2002/95/EC (RoHS)	compliant