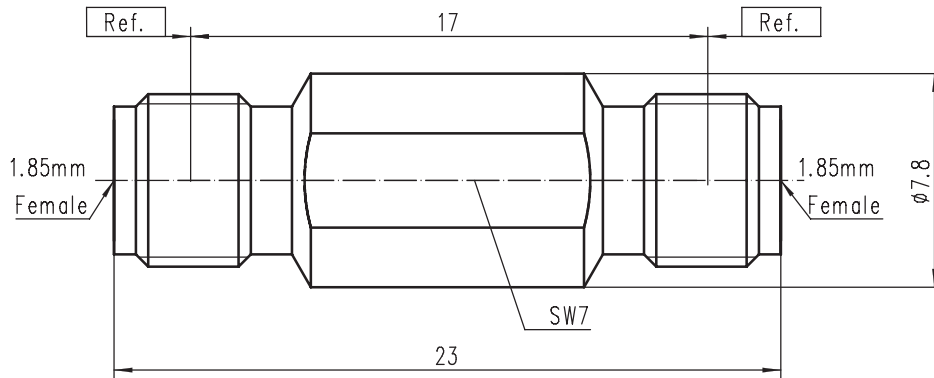


# ADAPTOR

## 1.85mm Female - 1.85mm Female

# 1.85mm-KKG



Code: 100075

### Electrical data

Impedance	50 Ω
Frequency	DC to 65GHz
Return loss	≥ 30 dB, DC to 12 GHz ≥ 21 dB, 12 GHz to 50 GHz ≥ 19 dB, 50 GHz to 65 GHz
Insertion loss	≤ 0.05 x √f(GHz) dB
Insulation resistance	≥ 5 GΩ
Center contact resistance	≤ 4.0 mΩ
Outer contact resistance	≤ 2.5 mΩ
Test voltage	500V rms
Working voltage	150 V rms
RF-leakage	≥ 100 dB up to 1 GHz

### Mechanical data

Mating cycles	≥ 500
Center contact captivation	≥ 20 N
Coupling test torque	1.65 Nm
Recommended torque	0.80 Nm to 1.10 Nm

### Material and plating

Connector parts	Material	Plating
Center contact	Beryllium copper	Gold, over chemical nickel
Outer contact	Stainless steel	Passivated
Coupling nut	Stainless steel	Passivated
Dielectric	PEI	

### Environmental data

Temperature range	-60°C to +165°C
Thermal shock	IEC 61169-1, Subclause 9.4.4
Corrosion	IEC 61169-1, Subclause 9.4.6
Vibration	IEC 61169-1, Subclause 9.3.3
Shock	IEC 61169-1, Subclause 9.3.14
Moisture resistance	IEC 61169-1, Subclause 9.4.3
2002/95/EC (RoHS)	compliant