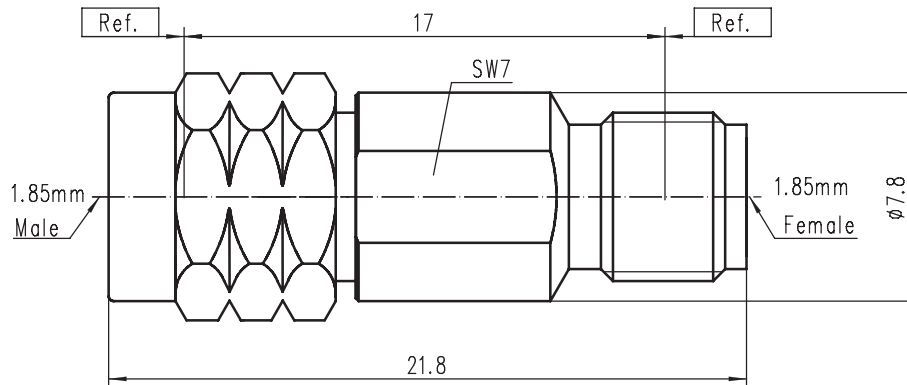


# ADAPTOR

## 1.85mm Male - 1.85mm Female

## 1.85mm-KJG



Code: 100074

### Electrical data

Impedance	50 $\Omega$
Frequency	DC to 65GHz
Return loss	$\geq 30$ dB, DC to 12 GHz $\geq 21$ dB, 12 GHz to 50 GHz $\geq 19$ dB, 50 GHz to 65 GHz
Insertion loss	$\leq 0.05 \times \sqrt{f(\text{GHz})}$ dB
Insulation resistance	$\geq 5$ G $\Omega$
Center contact resistance	$\leq 4.0$ m $\Omega$
Outer contact resistance	$\leq 2.5$ m $\Omega$
Test voltage	500V rms
Working voltage	150 V rms
RF-leakage	$\geq 100$ dB up to 1 GHz

### Mechanical data

Mating cycles	$\geq 500$
Center contact captivation	$\geq 20$ N
Coupling test torque	1.65 Nm
Recommended torque	0.80 Nm to 1.10 Nm

### Material and plating

#### Connector parts

Center contact  
Outer contact  
Coupling nut  
Dielectric

#### Material

Beryllium copper  
Stainless steel  
Stainless steel  
PEI

#### Plating

Gold, over chemical nickel  
Passivated  
Passivated

### Environmental data

Temperature range	-60°C to +165°C
Thermal shock	IEC 61169-1, Subclause 9.4.4
Corrosion	IEC 61169-1, Subclause 9.4.6
Vibration	IEC 61169-1, Subclause 9.3.3
Shock	IEC 61169-1, Subclause 9.3.14
Moisture resistance	IEC 61169-1, Subclause 9.4.3
2002/95/EC (RoHS)	compliant