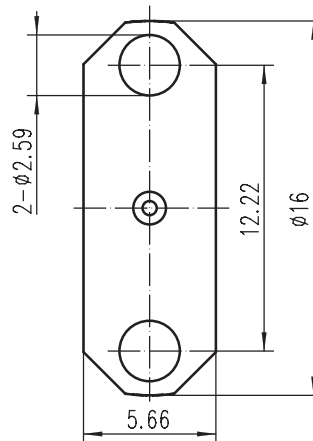
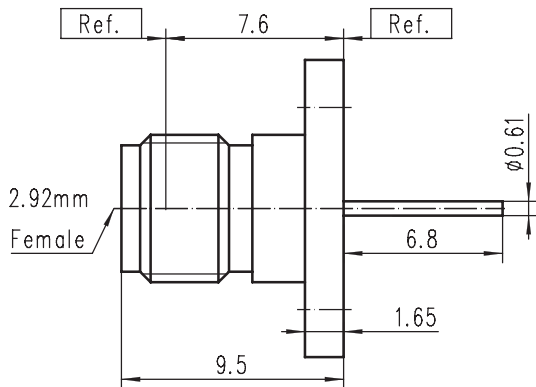


CONNECTOR

2.92mm Female Coaxial End

2.92mm-KFD3AG



Code: 230006

Electrical data

Impedance	50 Ω
Frequency	DC to 40 GHz
Return loss	≥25 dB, DC to 34 GHz ≥23 dB, 34 GHz to 40 GHz
Insertion loss	≤ 0.04 × √f(GHz) dB
Insulation resistance	≥ 5 GΩ
Center contact resistance	≤ 3.0 mΩ
Outer contact resistance	≤ 2.0 mΩ
Test voltage	750 V rms
Working voltage	250 V rms
RF-leakage	≥ 100 dB up to 1 GHz

Mechanical data

Mating cycles	≥ 500
Coupling nut retention	≥ 20 N
Coupling test torque	1.70 Nm
Recommended torque	0.80 Nm to 1.10 Nm

Material and plating

Connector parts	Material	Plating
Center contact	CuBe	Gold plated
Outer contact	Stainless steel	Passivated
Dielectric	PEI	

Environmental data

Temperature range	-65°C to +165°C
Thermal shock	MIL-STD-202, Method 107, Condition B
Corrosion	MIL-STD-202, Method 101, Condition B
Vibration	MIL-STD-202, Method 204, Condition D
Shock	MIL-STD-202, Method 213, Condition I
Moisture resistance	MIL-STD-202, Method 106
2002/95/EC (RoHS)	compliant

Shanghai Tuyue electronics Co. Ltd.

Tel.: +86 21 64753655 Fax: +86 21 61257270
Email: info@tuyue.com.cn Website:www.tuyue.com.cn