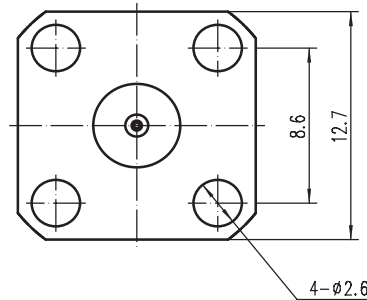
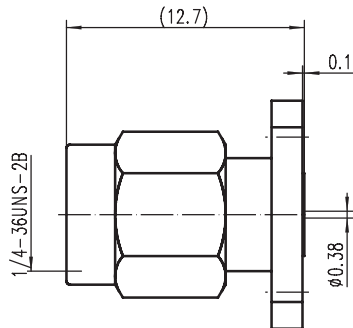


# CONNECTOR

## 2.92mm Male - Repeatabe

# 2.92mm-JFD1G38



Code : 230019

### Electrical data

Impedance	50 Ω
Frequency	DC to 40 GHz
Return loss	≥26 dB, DC to 34 GHz ≥23 dB, 34 GHz to 40 GHz
Insertion loss	≤ 0.04 x √f(GHz) dB
Insulation resistance	≥ 5 GΩ
Center contact resistance	≤ 3.0 mΩ
Outer contact resistance	≤ 2.0 mΩ
Test voltage	750 V rms
Working voltage	250 V rms
RF-leakage	≥ 100 dB up to 1 GHz

### Mechanical data

Mating cycles	≥ 500
Coupling nut retention	≥ 20 N
Coupling test torque	1.70 Nm
Recommended torque	0.80 Nm to 1.10 Nm

### Material and plating

Connector parts	Material	Plating
Center contact	CuBe	Gold plated
Outer contact	Stainless steel	Passivated
Coupling nut	Stainless steel	Passivated
Dielectric	PEI	

### Environmental data

Temperature range	-65°C to +165°C
Thermal shock	MIL-STD-202, Method 107, Condition B
Corrosion	MIL-STD-202, Method 101, Condition B
Vibration	MIL-STD-202, Method 204, Condition D
Shock	MIL-STD-202, Method 213, Condition I
Moisture resistance	MIL-STD-202, Method 106
2002/95/EC (RoHS)	compliant

Shanghai Tuyue electronics Co. Ltd.

Tel.: +86 21 64753655 Fax: +86 21 61257270

Email: info@tuyue.com.cn Website:www.tuyue.com.cn