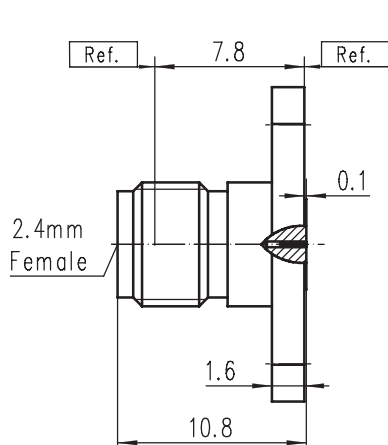


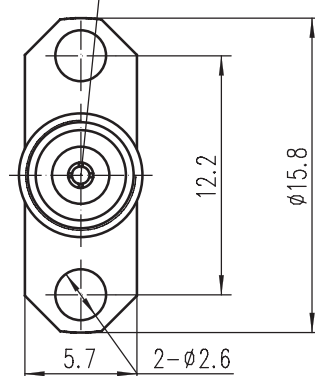
CONNECTOR

2.4mm Female

2.4mm-KFD1AG



SOCKET TO ACCPET $\phi 0.3$ PIN
2 MAX DEPTH



Code: 240502

Electrical data

Impedance	50 Ω
Frequency	DC to 50 GHz
Return loss	≥ 20 dB, DC to 50 GHz
Insertion loss	$\leq 0.05 \times \sqrt{f(\text{GHz})}$ dB
Insulation resistance	≥ 5 G Ω
Center contact resistance	≤ 4.0 m Ω
Outer contact resistance	≤ 2.5 m Ω
Test voltage	500 V rms
Working voltage	150 V rms
RF-leakage	≥ 100 dB up to 1 GHz

Mechanical data

Mating cycles	≥ 500
Coupling nut retention	≥ 20 N
Coupling test torque	1.65 Nm
Recommended torque	0.80 Nm to 1.10 Nm

Material and plating

Connector parts

Center contact
Outer contact
Dielectric

Material

Beryllium copper
Stainless steel
PEI

Plating

Gold, over chemical nickel
Passivated

Environmental data

Temperature range	-65°C to +165°C
Thermal shock	IEC 61169-1, Subclause 9.4.4
Corrosion	IEC 61169-1, Subclause 9.4.6
Vibration	IEC 61169-1, Subclause 9.3.3
Shock	IEC 61169-1, Subclause 9.3.14
Moisture resistance	IEC 61169-1, Subclause 9.4.3
2002/95/EC (RoHS)	compliant